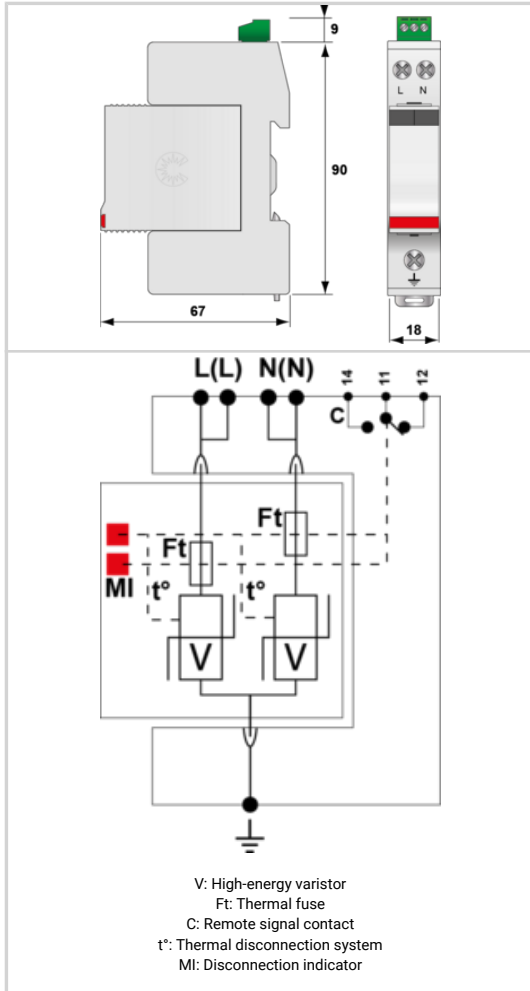




- MOV Technology
- UL1449 Type 4CA
- 40kA Surge Current Rating
- Visual fault indicator and remote contacts
- 10-Year warranty



Electrical Characteristics		
Total Maximum discharge current <i>max. total withstand @ 8/20 μs</i>	I _{max} Total	80 kA
Protection mode(s)		Common mode
POWER SPD TYPE		UL1449 5th Ed. TYPE 4CA
AC/DC/DC PV/RF		AC
PHASE	(PH)	1S
AMPS	(A)	N/A
AMBIENT MIN	(C)	-35
AMBIENT MAX	(C)	+60
MODES		L-L, L-G, L-N, N-G
IN <i>15 impulses 8/20 μs</i>	(kA)	20
SCCR	(kA)	n/a
IMAX <i>8/20 μs</i>	(kA)	40
Mechanical Characteristics		
Connection to Network		By screw terminals: 1.5-10mm ² (L/N) or 2.5-25mm ² (PE)
Weight		0.133 kg
CONNECTION METHOD		Screw Terminal, 15-5AWG Solid Wire, 15-7AWG Stranded Wire
MOUNTING		Din Rail
MATERIAL		Thermoplastic UL94-V0
NEMA RATING (IP RATING)		NEMA 2 (IP20)
FAIL-SAFE BEHAVIOR		Disconnection via fuse-link
REAL-TIME DIAGNOSTICS		Visual indicator and remote contacts
DIMENSIONS		See diagram
WEIGHT		0.30 lbs
Standards		
Certification		UL Recognized
UL STANDARD		UL1449 5th Edition
UL CATEGORY		VZCA2, VZCA8
UL FILE NUMBER		E326289
STANDARDS		NOM-003-SCFI-2014, NOM-001-SCFI-1993
ENVIRONMENTAL STANDARDS		ROHS
Part number		
311911		

