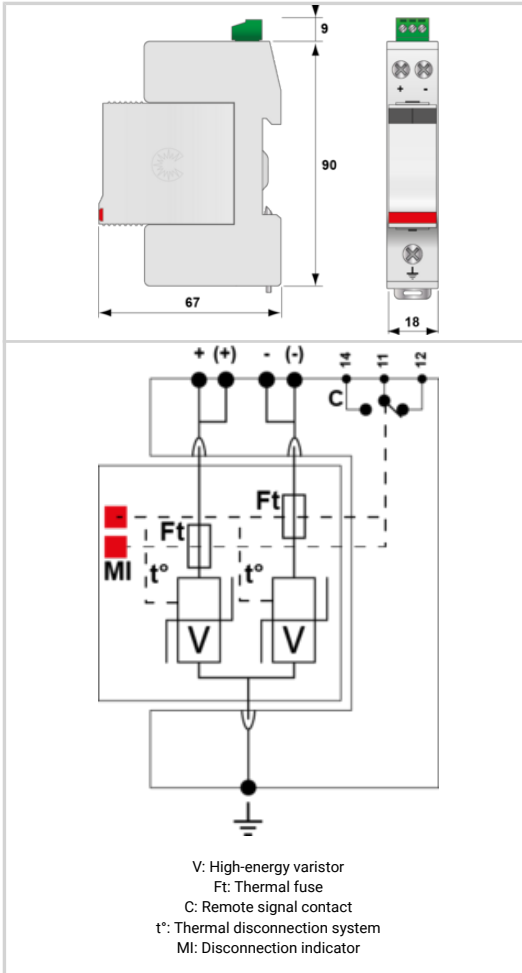




- MOV Technology
- UL1449 Type 4CA
- 40kA Surge Current Rating per module
- Visual fault indicator and remote contacts
- 10-Year warranty



| Electrical Characteristics                                     |                        |   |
|--|------------------------|---|
| Max. DC operating voltage                                      | Uc                     | 275 Vdc   |
| Max. load current @25°C  | IL                     | 20 A  |
| Total Maximum discharge current max. total withstand @ 8/20 μs | I <sub>max</sub> Total | 80 kA   |
| Protection mode(s)   |                        | Common mode   |
| Protection level +/-PE (-/PE) @ In (8/20μs)                    | Up                     | 900 V   |
| POWER SPD TYPE   |                        | IEC Type 2  |
| VOLTS  | (V)                    | 220   |
| AC/DC/DC PV/RF   |                        | DC  |
| PHASE  | (PH)                   | -   |
| AMPS   | (A)                    | N/A   |
| AMBIENT MIN  | (C)                    | -40   |
| AMBIENT MAX  | (C)                    | +85   |
| MODES  |                        | DC+G or DC-G  |
| IN 15 impulses 8/20μs  | (kA)                   | 20  |
| SCCR   | (kA)                   | n/a   |
| IMAX 8/20μs  | (kA)                   | 40  |
| Mechanical Characteristics                                     |                        |   |
| Connection to Network  |                        | By screw terminals: 1.5-10mm <sup>2</sup> (active wires) and 2.5-25mm <sup>2</sup> (ground) |
| TECHNOLOGY   |                        | MOV   |
| NETWORK CONFIGURATION  |                        | 2W+G  |
| CONNECTION METHOD  |                        | SPD-Screw Terminal (8-12AWG), Terminal blocks 6AWG  |
| MOUNTING   |                        | Wall mount  |
| MATERIAL   |                        | Thermoplastic UL94-V0   |
| NEMA RATING (IP RATING)  |                        | NEMA 2 (IP20)   |
| FAIL-SAFE BEHAVIOR   |                        | Disconnection via fuse-link   |
| REAL-TIME DIAGNOSTICS  |                        | Visual indicator and remote contacts  |
| DIMENSIONS   |                        | See diagram   |
| WEIGHT   |                        | 0.30 lbs  |
| Standards  |                        |   |
| Certification  |                        | UL Recognized   |
| UL STANDARD  |                        | UL1449 5th Edition  |
| UL CATEGORY  |                        | VZCA2, VZCA8  |
| UL FILE NUMBER   |                        | E326289   |
| STANDARDS  |                        | IEC 61643-11, NOM-003-SCFI-2014, NOM-001-SCFI-1993  |
| ENVIRONMENTAL STANDARDS  |                        | ROHS  |
| Part number  |                        |   |
| 310211   |                        |   |

