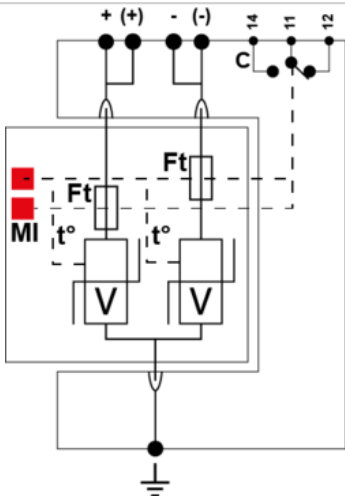
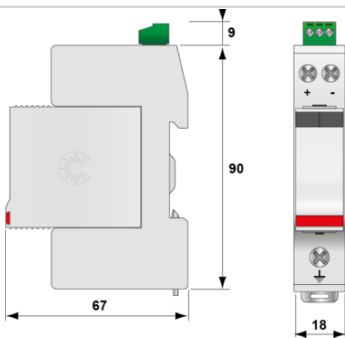




- MOV Technology
- UL1449 Type 4CA
- 40kA Surge Current Rating per module
- Visual fault indicator and remote contacts
- 10-Year warranty



V: High-energy varistor
 Ft: Thermal fuse
 C: Remote signal contact
 t°: Thermal disconnection system
 MI: Disconnection indicator

Electrical Characteristics

SPD type (following IEC tests)		2
Total Maximum discharge current (max. total withstand @ 8/20 μs)	I _{max} Total	80 kA
Protection level +/PE (-/PE) (@ I _n 8/20μs)	U _p	1200 V
POWER SPD TYPE		IEC Type 2
VOLTS	[V]	280
AC/DC/DC PV/RF		DC
PHASE	[PH]	-
AMPS	[A]	n/a
AMBIENT MIN	[C]	-35
AMBIENT MAX	[C]	+85
MODES		DC+-DC-,DC+-G,DC--G
IN(15 impulses 8/20μs)	[kA]	20
SCCR	[kA]	n/a
IMAX(8/20μs)	[kA]	40

Mechanical Characteristics

Technology		MOV
Dimensions		See diagram
TECHNOLOGY		MOV
NETWORK CONFIGURATION		2W+G
CONNECTION METHOD		Screw Terminal (8-12AWG)
MOUNTING		DIN RAIL
MATERIAL		Thermoplastic UL94-V0
NEMA RATING (IP RATING)		NEMA 2 (IP20)
FAIL-SAFE BEHAVIOR		Disconnection via fuse-link
REAL-TIME DIAGNOSTICS		Visual indicator and remote contacts
DIMENSIONS		See diagram
WEIGHT		0.30 lbs

Standards

Standards compliance		IEC 61643-11 / EN 61643-11 / UL1449 ed.4
UL STANDARD		UL1449 4th Edition
UL CATEGORY		VZCA2, VZCA8
UL FILE NUMBER		E326289
STANDARDS		IEC 61643-11, NOM-003-SCFI-2014, NOM-001-SCFI-1993
ENVIRONMENTAL STANDARDS		ROHS

Part number

310511

