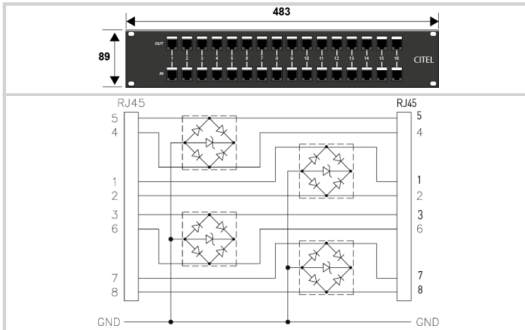




- ↳ 19" patch panel surge protector for POE-B
- ↳ 32 ports
- ↳ In/Out front : RJ45
- ↳ Maintenance possible per port
- ↳ Secondary Protection
- ↳ UL497B



Electrical Characteristics			
Max. DC operating voltage	Uc		7.5 Vdc
Insertion loss			< 1 dB
Max. load current @25°C	IL		750 mA
Max. capacitance	C		< 8 pF
Nominal Discharge Current, X-C (Line/Earth) 8/20µs Test x 10 - C2 Category	In L/PE		500 A
Capacity Maximum	pF		<8
Telecom Discharge Current 10/1000	kA		0,1
Telecom Total Discharge Current 10/1000	kA		0,1
Telecom Discharge Current 10/1000	kA		0,1
Telecom Discharge Current 10/1000	kA		0,1
Installation			
Operating Temperature _{Min}	°C		-40.0000
Operating Temperature _{Max}	°C		85.0000
Operating Temperature _{Min}	°F		-40.0000
Operating Temperature _{Max}	°F		85.0000
Operating Relative Humidity _{Max}	%RH		95
Operating Altitude _{Min}	Ft		2000.0000
Operating Altitude _{Max}	Ft		6500.0000
Housing/Enclosure material			aluminum
Mounting			Rack mount
IP Environmental rating/IP			IP20
Installation Location			indoor
Product Dimension _L	mm		483.0000
Product Dimension _H	mm		89.0000
Product Dimension _L	In		19.0200
Product Dimension _H	In		3.5040
Miscellaneous			
Individual Pack			Yes
Storage Temperature _{Min}	°C		-40.0000
Storage Temperature _{Max}	°C		85.0000
Storage Temperature _{Min}	°F		-40.0000
Storage Temperature _{Max}	°F		85.0000
Installation			
Cable type			Ethernet
Mechanical Characteristics			
Connection to Network			RJ45 Female input/output
Weight			0.62 kg
Part number			
6254			