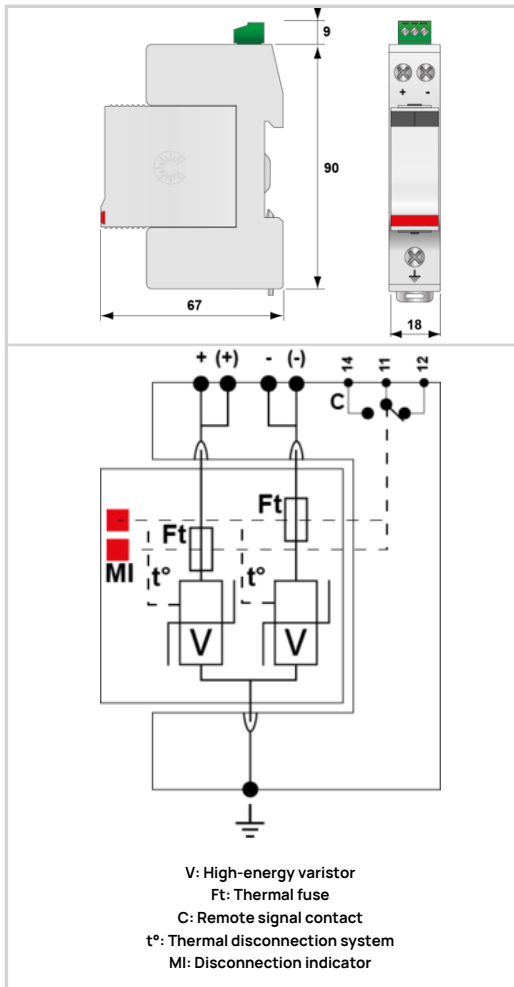


DS220S-12DC



Electrical Characteristics

SPD type (following IEC tests)		2
Max. load current	IL	20 A
Max. discharge current (max. withstand @ 8/20 μs by pole)	I _{max}	20 kA
Total Maximum discharge current (max. total withstand @ 8 /20 μs)	I _{max} Total	40 kA
Protection mode(s)		Common mode
POWER SPD TYPE		UL1449 TYPE 4CA
VOLTS	(V)	12
AC/DC/DC PV/RF		DC
PHASE	(PH)	-
AMPS	(A)	n/a
AMBIENT MIN	(C)	-35
AMBIENT MAX	(C)	+85
MODES		DC+-DC-,DC+-G,DC--G
MLV DC	(V)	510/510/510
MCOV	(V)	24/24/24
IN(15 impulses 8/20μs)	(kA)	10
SCCR	(kA)	n/a
IMAX(8/20μs)	(kA)	20

Mechanical Characteristics

Technology		MOV
Connection to Network		By screw terminals: 1.5-10mm ² (actives wires) and 2.5-25mm ² (ground)
Mounting		Symmetrical rail 35 mm (DIN 60715)
Housing material		Thermoplastic UL94 V-0
Operating temperature	T _u	-40/+85°C
Protection rating		IP20
Dimensions		See diagram
Weight		0.111 kg
TECHNOLOGY		MOV
NETWORK CONFIGURATION		2W+G
CONNECTION METHOD		Screw Terminal (8-12AWG)
MOUNTING		DIN RAIL
MATERIAL		Thermoplastic UL94-V0
NEMA RATING (IP RATING)		NEMA 2 (IP20)
FAIL-SAFE BEHAVIOR		Disconnection via fuse-link
REAL-TIME DIAGNOSTICS		Visual indicator and remote contacts
DIMENSIONS		See diagram (mm)
WEIGHT		0.30 lbs
SPARE PART		DSM230-48DC

Standards

Standards compliance		IEC 61643-11 / EN 61643-11 / UL1449 ed.4
Certification		UL listed
UL STANDARD		UL1449 4th Edition
UL CATEGORY		VZCA2, VZCA8



DIN RAIL DC

DC POWER

DS220S-12DC

UL FILE NUMBER	E326289
STANDARDS	IEC 61643-11, NOM-003-SCFI-2014, NOM-001-SCFI-1993
ENVIRONMENTAL STANDARDS	ROHS
Part number	
390111	

