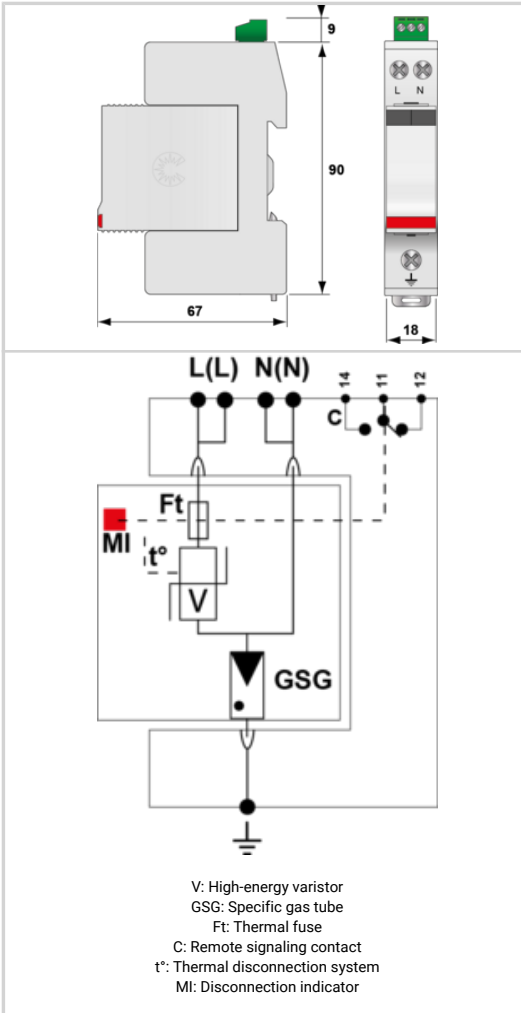




- MOV+GSG Technology
- UL1449 TYPE 4CA
- 40kA Surge Current Rating per module
- Visual fault indicator and remote contacts
- 10-Year warranty



Electrical Characteristics	
Network	230 V single-phase
Total Maximum discharge current <i>max. total withstand @ 8/20 μs</i>	I _{max} Total 40 kA
Protection mode(s)	Common/Differential mode
POWER SPD TYPE	UL1449 5th Ed. TYPE 4CA
AC/DC/DC PV/RF	AC
PHASE	(PH) 1S
AMPS	(A) N/A
AMBIENT MIN	(C) -35
AMBIENT MAX	(C) +60
MODES	L-L, L-G, L-N, N-G
IN	(kA) 20
15 impulses 8/20μs	
SCCR	(kA) n/a
IMAX	(kA) 40
8/20μs	
Mechanical Characteristics	
Technology	MOV
Connection to Network	By screw terminals: 1.5-10mm ² (L/N) or 2.5-25mm ² (PE)
Format	Plug-in modular box
Failsafe mode	Disconnection from AC network
TECHNOLOGY	MOV+GSG
NETWORK CONFIGURATION	2 pole, 2W+G, Single/Spilt Phase
CONNECTION METHOD	Screw Terminal, 15-5AWG Solid Wire, 15-7AWG Stranded Wire
MOUNTING	Din Rail
MATERIAL	Thermoplastic UL94-V0
NEMA RATING (IP RATING)	NEMA 2 (IP20)
FAIL-SAFE BEHAVIOR	Disconnection via fuse-link
REAL-TIME DIAGNOSTICS	Visual indicator and remote contacts
DIMENSIONS	See diagram
WEIGHT	0.30 lbs
Standards	
Certification	UL Recognized
UL STANDARD	UL1449 5th Edition
UL CATEGORY	VZCA2, VZCA8
UL FILE NUMBER	E326289
STANDARDS	NOM-003-SCFI-2014, NOM-001-SCFI-1993
ENVIRONMENTAL STANDARDS	ROHS
Part number	
311931	

