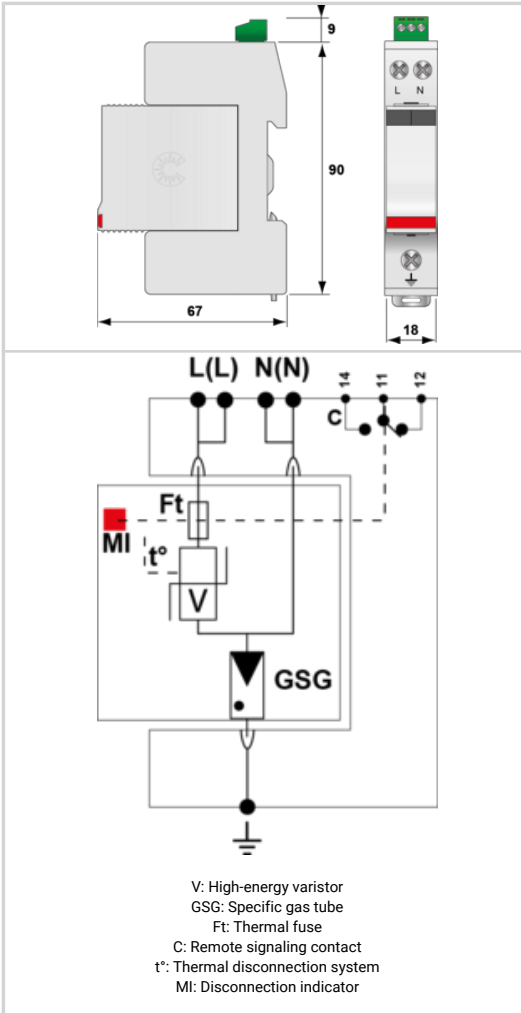




- MOV+GSG Technology
- UL1449 TYPE 4CA
- 40kA Surge Current Rating per module
- Visual fault indicator and remote contacts
- 10-Year warranty



Electrical Characteristics	
Network	230 V single-phase
Total Maximum discharge current <i>max. total withstand @ 8/20 μs</i>	I _{max} Total 40 kA
Protection mode(s)	Common/Differential mode
POWER SPD TYPE	UL1449 5th Ed. TYPE 4CA
AC/DC/DC PV/RF	AC
PHASE	(PH) 1S
AMPS	(A) N/A
AMBIENT MIN	(C) -35
AMBIENT MAX	(C) +60
MODES	L-L, L-G, L-N, N-G
IN	(kA) 20
15 impulses 8/20μs	
SCCR	(kA) n/a
IMAX	(kA) 40
8/20μs	
Mechanical Characteristics	
Technology	MOV
Connection to Network	By screw terminals: 1.5-10mm ² (L/N) or 2.5-25mm ² (PE)
Format	Plug-in modular box
Failsafe mode	Disconnection from AC network
TECHNOLOGY	MOV+GSG
NETWORK CONFIGURATION	2 pole, 2W+G, Single/Spilt Phase
CONNECTION METHOD	Screw Terminal, 15-5AWG Solid Wire, 15-7AWG Stranded Wire
MOUNTING	Din Rail
MATERIAL	Thermoplastic UL94-V0
NEMA RATING (IP RATING)	NEMA 2 (IP20)
FAIL-SAFE BEHAVIOR	Disconnection via fuse-link
REAL-TIME DIAGNOSTICS	Visual indicator and remote contacts
DIMENSIONS	See diagram
WEIGHT	0.30 lbs
Standards	
Certification	
UL STANDARD	UL1449 5th Edition
UL CATEGORY	VZCA2, VZCA8
UL FILE NUMBER	E326289
STANDARDS	NOM-003-SCFI-2014, NOM-001-SCFI-1993
ENVIRONMENTAL STANDARDS	ROHS
Part number	
311431	

