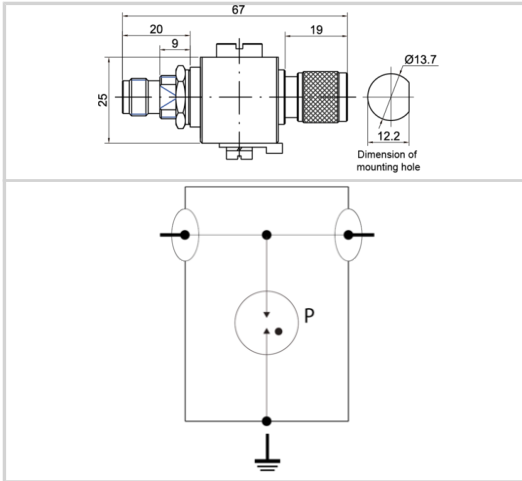


P8AX25-6G-T/MF



- Gas Discharge Tube Technology, DC Pass
- Frequency Range 0-6.9GHz
- I_{max} 20kA, 10kA (UL), I_n 10kA
- IP67 Outdoor Rated
- TNC-Type Connector
- Bi-Directional
- Replaceable Gas Tube



Electrical Characteristics		
Max. DC operating voltage	U _c	200 Vdc
Frequency range	f	DC-7 GHz
Insertion loss		0.3 dB
Return loss		> 18 dB
Impedance		50 ohms
VSWR		< 1.3:1
Max. load current @25°C	I _L	10 A
Protection mode(s)		Common mode
Impulse current 2 x 10/350µs Test - D1 Category	I _{imp}	1 kA
Nominal discharge current C2 Category	I _n	5 kA
Max Power		190 W
DC Pass		Yes
Insulation resistance	I _R	≥10 GOhms
RF SPD TYPE		UL497E LISTED
VOLTS	(V)	48
AC/DC/DC PV/RF		RF
WIRES		1W+GROUND
LINE CURRENT MAX	(A)	10
AMBIENT MIN	(C)	-40
AMBIENT MAX	(C)	+85
IMAX 8/20µs	(kA)	20
FREQUENCY RANGE	(GHz)	0-6.9
INSERTION LOSS (@ FREQ)	(db)	<0.2
RETURN LOSS	(db)	>22
VSWR		<1.25:1
Mechanical Characteristics		
Technology		Gas discharge tube
Connection to Network		Connector TNC Male/Female
Failsafe mode		Short-circuit
Contacts		Bronze/Surface Au-Ag
Insulation material		PTFE
TECHNOLOGY		GDT
CONNECTION METHOD		SERIES CONNECTOR, BI-DIRECTIONAL
MOUNTING		BULKHEAD, OPTIONAL BRACKET
MATERIAL		Cu, Zn, Sn plated Brass, PTFE
NEMA RATING (IP RATING)		NEMA 6P (IP67)
DIMENSIONS		See diagram
WEIGHT		0.30 lbs
Standards		
RohS compliance		Yes
UL STANDARD		UL497E
UL CATEGORY		QVLA
UL FILE NUMBER		E349646
STANDARDS		NOM-003-SCFI-2014, NOM-001-SCFI-1993
ENVIRONMENTAL STANDARDS		ROHS
Part number		
68304		