

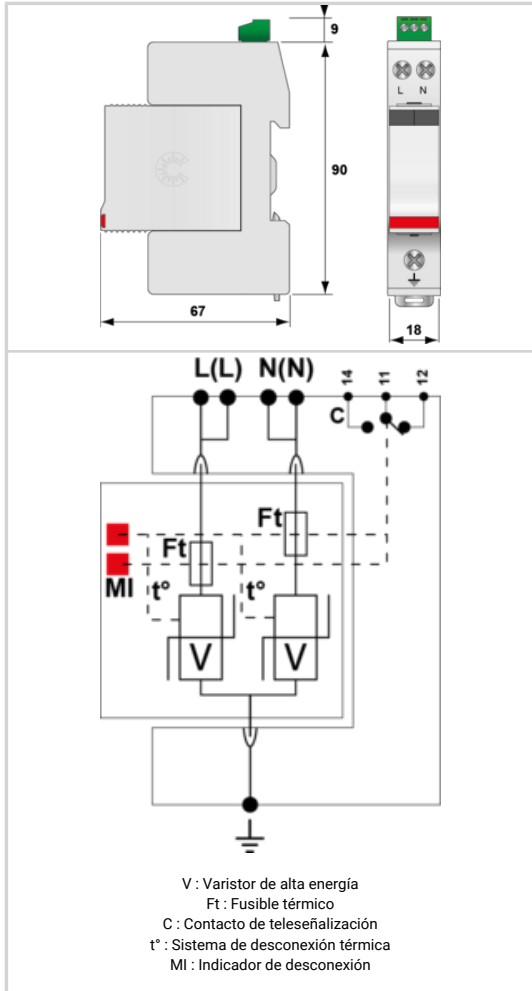


CITEL

DS240S-230



- ▶ MOV Technology
- ▶ UL1449 Type 4CA
- ▶ 40kA Surge Current Rating
- ▶ Visual fault indicator and remote contacts
- ▶ 10-Year warranty



| Características eléctricas | | |
|---------------------------------------------|------------------------|-------------------------|
| Red | | 230 V monofásica |
| Corriente de descarga máxima total | I _{max} Total | 80 kA |
| Capacidad máx. total en onda 8/20µs | | |
| Modo(s) de protección | | Modo común |
| POWER SPD TYPE | | UL1449 5th Ed. TYPE 4CA |
| TENSION | (V) | 400/230 |
| AC/DC/DC PV/RF | | AC |
| FASE | (PH) | 1S |
| AMPS | (A) | N/A |
| AMBIENT MIN | (C) | -35 |
| AMBIENT MAX | (C) | +60 |
| MODOS | | L-L, L-G, L-N, N-G |
| MLV | (V) | 2710/-/1950/- |
| MCOV | (V) | 510/-/255/- |
| IN | (kA) | 20 |
| I _{cc} cortocircuito | (kA) | n/a |
| IMAX | (kA) | 40 |
| Opción | | |
| Remote status dry contact electrical rating | V | 250.0000 |
| Remote status dry contact electrical rating | A | 0.5000 |
| RFI Filter | | No |
| Instalación | | |
| Wiring type | | screw |
| Solid wire cross section | mm ² | 1.5000 |
| Solid Wire cross section | mm ² | 16.0000 |
| Stranded Wire cross section | mm ² | 1.5000 |
| Stranded wire cross section | mm ² | 10.0000 |
| Wire gauge | AWG | 15.0000 |
| Wire gauge | AWG | 5.0000 |
| Torque | Nm | 1.2-1.5 |
| Torque | in-lbs | 10.6-13.3 |
| Strip Length | mm | 16.0000 |
| Strip Length | in | 0.6300 |
| Operating Temperature | °C | -40.0000 |
| Operating Temperature | °C | 85.0000 |
| Operating Temperature | °F | -40.0000 |
| Operating Temperature | °F | 85.0000 |
| Operating Relative Humidity | %RH | 95 |
| Operating Altitude | Ft | 2000.0000 |
| Operating Altitude | Ft | 6500.0000 |
| Housing/Enclosure material | | Thermoplastic |
| Flammability rating | | V0 |
| Mounting | | Rail Din |
| IP Environmental rating | | IP20 |
| Installation Location | | Indoor / outdoor |
| Spare part | | Module |
| Product Dimension | mm | 90.0000 |
| Product Dimension | mm | 67.0000 |
| Product Dimension | mm | 18.0000 |
| Product Dimension | In | 3.5400 |
| Product Dimension | In | 2.6300 |
| Product Dimension | In | 0.7100 |
| Miscelánea | | |
| Individual Pack | | Yes |

| | | |
|----------------------------------|-----|------------------------------------------------------------------------------------------|
| Storage Temperature | °C | -40.0000 |
| Storage Temperature | °C | 85.0000 |
| Storage Temperature | *F | -40.0000 |
| Storage Temperature | *F | 85.0000 |
| Storage Relative Humidity | %RH | 95.0000 |
| Características mecánicas | | |
| Tecnología | | MOV |
| Conexión a la red | | Por terminales de tornillos : 1.5-10 mm ² (L/N) o 2.5-25 mm ² (PE) |
| Formato | | Caja modular desenchufable |
| Modo de fallo | | Desconexión de la red Baja Tensión |
| Peso | | 0.13 kg |
| TECNOLOGIA | | MOV |
| CONFIGURACION DE RED | | 1PH, 2W+G, Single Phase (or 2PH, 2W+G, Two Phase) |
| FORMA DE CONEXION | | Screw Terminal, 15-5AWG Solid Wire, 15-7AWG Stranded Wire |
| MONTAJE | | Din Rail |
| MATERIAL | | Thermoplastic UL94-V0 |
| NEMA RATING (IP RATING) | | NEMA 2 (IP20) |
| DESCONEXION SEGURA | | Disconnection via fuse-link |
| REAL-TIME DIAGNOSTICS | | Visual indicator and remote contacts |
| DIMENSIONS | | See diagram |
| WEIGHT | | 0.30 lbs |
| Normas | | |
| Certificación | | CSA / UL |
| UL STANDARD | | UL1449 5th Edition |
| UL CATEGORY | | VZCA2, VZCA8 |
| UL FILE NUMBER | | E326289 |
| NORMAS | | NOM-003-SCFI-2014, NOM-001-SCFI-1993 |
| ENVIRONMENTAL STANDARDS | | ROHS |
| Código | | |
| 311711 | | |