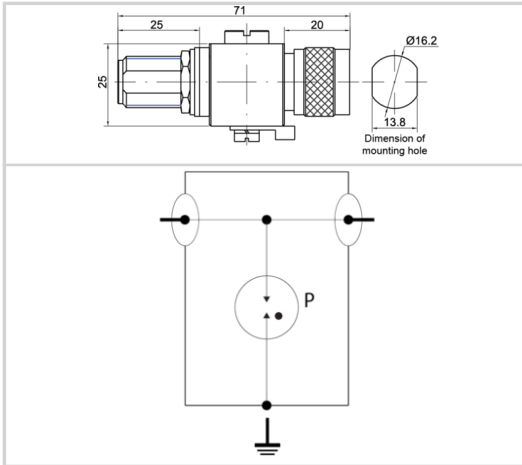


## P8AX09-6G-N/MF



- Gas Discharge Tube Technology, DC Pass
- Frequency Range 0-6.9GHz
- I<sub>max</sub> 20kA, 10kA (UL), I<sub>n</sub> 10kA
- IP67 Outdoor Rated
- N-Type Connector
- Bi-Directional
- Replaceable Gas Tube



Electrical Characteristics		
Max. DC operating voltage	Uc	120 Vdc
Frequency range	f	DC-7 GHz
Insertion loss		< 0.2 dB
Return loss		> 19 dB
Impedance		50 ohms
VSWR		<1.25:1
Max. load current @25°C	IL	10 A
Protection mode(s)		Common mode
Impulse current 2 x 10/350µs Test - D1 Category	Iimp	1 kA
Nominal discharge current C2 Category	I <sub>n</sub>	5 kA
Max Power		25 W
DC Pass		Yes
Insulation resistance	IR	≥10 GOhms
RF Power Maximum	W	25.0000
Return Loss Minimum	db	>20
VSWR Maximum	:1	<1.25
Max Total Discharge Current I <sub>max</sub> (8/20µs x 1)	kA	10.0000
Max Discharge Current I <sub>max</sub> (8/20µs x 1)	kA	10.0000
RF SPD TYPE		UL497E LISTED
VOLTS	(V)	48
AC/DC/DC PV/RF		RF
WIRES		1W+GROUND
LINE CURRENT MAX	(A)	10
POWER RATING	(W)	25
AMBIENT MIN	(C)	-40
AMBIENT MAX	(C)	+85
RESIDUAL VOLTAGE	(V)	700
IMAX 8/20µs	(kA)	20
FREQUENCY RANGE	(GHz)	0-6.9
INSERTION LOSS (@ FREQ)	(db)	<0.2
RETURN LOSS	(db)	>22
VSWR		<1.25:1
IMPEDANCE	Ω	50
Installation		
Operating Temperature <sub>Min</sub>	°C	-45.0000
Operating Temperature <sub>Max</sub>	°C	85.0000
Operating Temperature <sub>Min</sub>	°F	-50.0000
Operating Temperature <sub>Max</sub>	°F	85.0000
Operating Relative Humidity <sub>Max</sub>	%RH	Can be submerged
Operating Altitude <sub>Min</sub>	Ft	2000.0000
Operating Altitude <sub>Max</sub>	Ft	6500.0000
Housing/Enclosure material		Cu, Zn, Sn plated Brass
Mounting		Bracket or through hole
IP Environmental rating/IP		IP65
NEMA Environmental rating/NEMA		NEMA 4
Installation Location		Indoor / outdoor
Spare part		BA HF 90/20
Accessories		BK

**P8AX09-6G-N/MF**

Product Dimension $L$	mm	71.0000
Product Dimension $H$	mm	25.0000
Product Dimension $W$	mm	13.8000
Product Dimension $L$	In	2.8000
Product Dimension $H$	In	0.9800
Product Dimension $W$	In	0.5400
<b>Miscellaneous</b>		
Individual Pack		No
Storage Temperature $Min$	°C	-40.0000
Storage Temperature $Max$	°C	85.0000
Storage Temperature $Min$	°F	-40.0000
Storage Temperature $Max$	°F	85.0000
<b>Mechanical Characteristics</b>		
Technology		Gas discharge tube
Connection to Network		Connector N Male/Female
Failsafe mode		Short-circuit
Contacts		Bronze/Surface Au-Ag
Insulation material		PTFE
Weight		0.175 kg
TECHNOLOGY		GDT
CONNECTION METHOD		SERIES CONNECTOR, BI-DIRECTIONAL
CONNECTOR TYPE		N
GENDER		MALE TO FEMALE
MOUNTING		BULKHEAD, OPTIONAL BRACKET
MATERIAL		Cu, Zn, Sn plated Brass, PTFE
NEMA RATING (IP RATING)		NEMA 6P (IP67)
DIMENSIONS		See diagram
WEIGHT		0.30 lbs
SPARE PART		BA HF 90/20
<b>Standards</b>		
RohS compliance		Yes
UL STANDARD		UL497E
UL CATEGORY		QVLA
UL FILE NUMBER		E349646
STANDARDS		NOM-003-SCFI-2014, NOM-001-SCFI-1993
ENVIRONMENTAL STANDARDS		ROHS
<b>Part number</b>		
<b>68001</b>		