



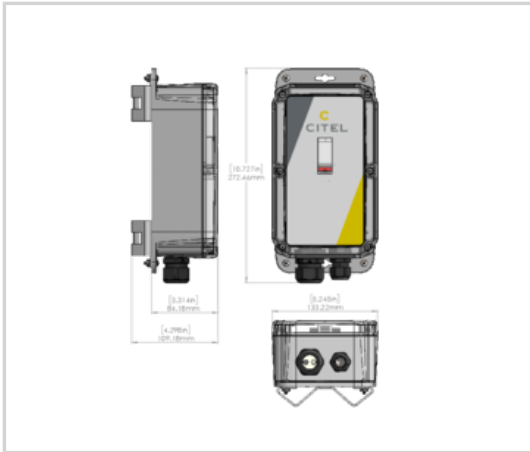
# Outdoor DC Power Surge Protective Device

# CITEL

## CPDIN40S-75DC-1P



- IP67 Outdoor Rated Enclosure
- I<sub>max</sub> 40kA
- Replaceable DIN Rail Module
- Remote Contacts
- Surface Mount/Flange Mount
- Pole Mount Bracket Kit



Electrical Characteristics			
Max. DC operating voltage	U <sub>c</sub>		65 Vdc
VOLTS	(V)		75
AC/DC/DC PV/RF			DC
AMBIENT MIN	(C)		-35
AMBIENT MAX	(C)		+85
MODES			DC+G or DC-G
MLV DC	(V)		1369
MCOV	(V)		100
IN	(kA)		20
<i>15 impulses 8/20µs</i>			
IMAX	(kA)		40
<i>8/20µs</i>			
Mechanical Characteristics			
APPLICATION			Outdoor 75V DC Power
TECHNOLOGY			MOV
NETWORK CONFIGURATION			2W+G
CONNECTION METHOD			SPD-Screw Terminal (8-12AWG), Terminal blocks 6AWG
MOUNTING			FLANGE MOUNT/POLE MOUNT KIT
MATERIAL			Polycarbonate
NEMA RATING (IP RATING)			NEMA 6P (IP67)
FAIL-SAFE BEHAVIOR			Disconnection via fuse-link
REAL-TIME DIAGNOSTICS			Remote contacts
DIMENSIONS			See diagram
WEIGHT			2.5 lbs.
Standards			
ENVIRONMENTAL STANDARDS			ROHS
Part number			
<b>893019</b>			

