

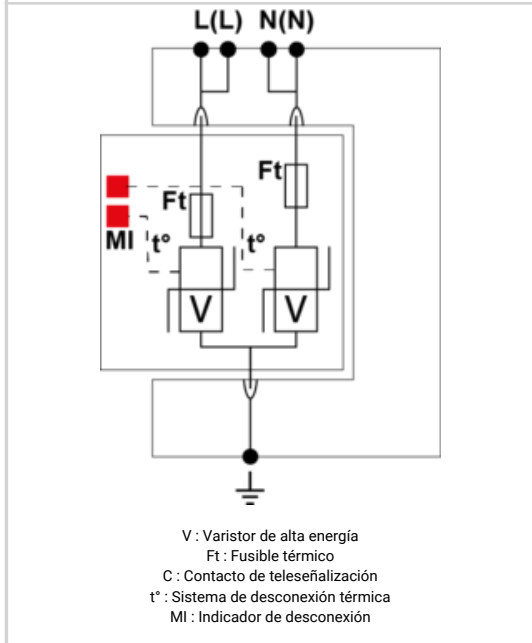
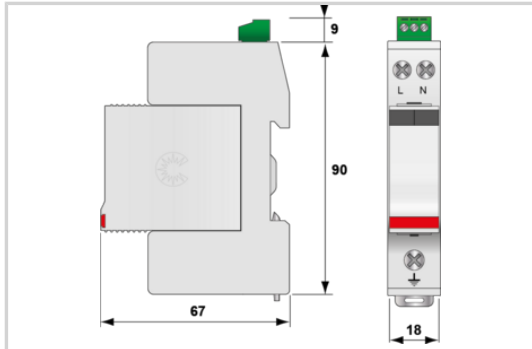


# CITEL

## DS240S-230-Ex



- ▶UL121201 Hazardous Locations
- ▶MOV Technology
- ▶UL1449 Type 4CA
- ▶40kA Surge Current Rating
- ▶Visual fault indicator and remote contacts
- ▶10-Year warranty



Características eléctricas		
Red		230 V monofásica
Corriente de descarga máxima total	I <sub>max</sub> Total	80 kA
Capacidad máx. total en onda 8/20µs		
Modo(s) de protección		Modo común
POWER SPD TYPE		UL1449 5th Ed. TYPE 4CA
TENSION	(V)	400/230
AC/DC/DC PV/RF		AC
FASE	(PH)	1S
AMPS	(A)	N/A
AMBIENT MIN	(C)	-35
AMBIENT MAX	(C)	+60
MODOS		L-L, L-G, L-N, N-G
MLV	(V)	2710/-/1950/-
MCOV	(V)	510/-/255/-
IN	(kA)	20
I <sub>cc</sub> cortocircuito	(kA)	n/a
IMAX	(kA)	40
Opción		
Remote status dry contact electrical rating	V	250.0000
Remote status dry contact electrical rating	A	0.5000
RFI Filter		No
Instalación		
Wiring type		screw
Solid wire cross section	mm <sup>2</sup>	1.5000
Solid Wire cross section	mm <sup>2</sup>	16.0000
Stranded Wire cross section	mm <sup>2</sup>	1.5000
Stranded wire cross section	mm <sup>2</sup>	10.0000
Wire gauge	AWG	15.0000
Wire gauge	AWG	5.0000
Torque	Nm	1.2-1.5
Torque	in-lbs	10.6-13.3
Strip Length	mm	16.0000
Strip Length	in	0.6300
Operating Temperature	°C	-40.0000
Operating Temperature	°C	85.0000
Operating Temperature	°F	-40.0000
Operating Temperature	°F	85.0000
Operating Relative Humidity	%RH	95
Operating Altitude	Ft	2000.0000
Operating Altitude	Ft	6500.0000
Housing/Enclosure material		Thermoplastic
Flammability rating		V0
Mounting		Rail Din
IP Environmental rating		IP20
Installation Location		Indoor / outdoor
Spare part		Module
Product Dimension	mm	90.0000
Product Dimension	mm	67.0000
Product Dimension	mm	18.0000
Product Dimension	In	3.5400
Product Dimension	In	2.6300
Product Dimension	In	0.7100
Miscelánea		
Individual Pack		Yes

Storage Temperature	°C	-40.0000
Storage Temperature	°C	85.0000
Storage Temperature	*F	-40.0000
Storage Temperature	*F	85.0000
Storage Relative Humidity	%RH	95.0000
<b>Características mecánicas</b>		
Tecnología		MOV
Conexión a la red		Por terminales de tornillos : 1.5-10 mm <sup>2</sup> (L/N) o 2.5-25 mm <sup>2</sup> (PE)
Formato		Caja modular desenchufable
Modo de fallo		Desconexión de la red Baja Tensión
Peso		0.13 kg
TECNOLOGIA		MOV
CONFIGURACION DE RED		1PH, 2W+G, Single Phase (or 2PH, 2W+G, Two Phase)
FORMA DE CONEXION		Screw Terminal, 15-5AWG Solid Wire, 15-7AWG Stranded Wire
MONTAJE		Din Rail
MATERIAL		Thermoplastic UL94-V0
NEMA RATING (IP RATING)		NEMA 2 (IP20)
DESCONEXION SEGURA		Disconnection via fuse-link
REAL-TIME DIAGNOSTICS		Visual indicator and remote contacts
DIMENSIONS		See diagram
WEIGHT		0.30 lbs
<b>Normas</b>		
Certificación		UL Recognized
UL STANDARD		UL1449 5th Edition & UL121201
UL CATEGORY		VZCA2, VZCA8, VZCH, VZCH7
UL FILE NUMBER		E326289, E527348
UL121201 HAZARDOUS LOCATION		Class I, Division 2, Groups A, B, C & D: Operating. Temp. T5
NORMAS		NOM-003-SCFI-2014, NOM-001-SCFI-1993
ENVIRONMENTAL STANDARDS		ROHS
<b>Código</b>		
<b>897008</b>		