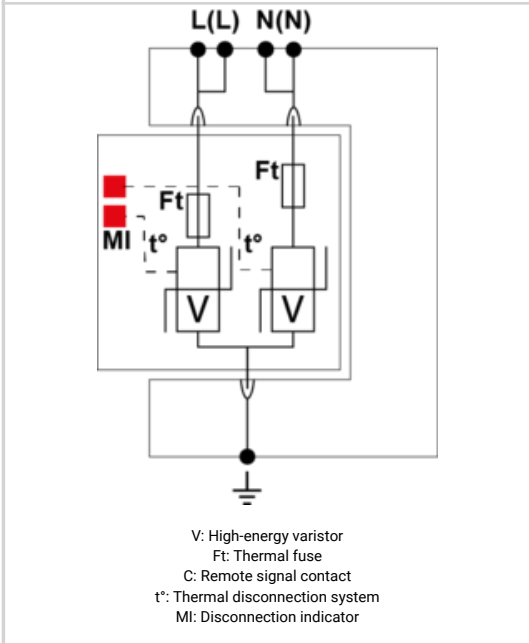
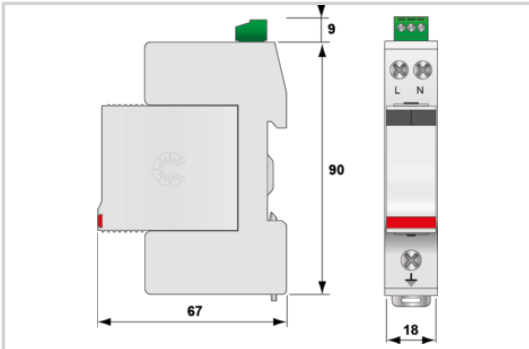




- UL121201 Hazardous Locations
- MOV Technology
- UL1449 Type 4CA
- 40kA Surge Current Rating
- Visual fault indicator and remote contacts
- 10-Year warranty



Electrical Characteristics		
Network		230 V single-phase
Total Maximum discharge current <i>max. total withstand @ 8/20 μs</i>	I _{max} Total	80 kA
Protection mode(s)		Common mode
POWER SPD TYPE		UL1449 5th Ed. TYPE 4CA
VOLTS	(V)	400/230
AC/DC/DC PV/RF		AC
PHASE	(PH)	1S
AMPS	(A)	N/A
AMBIENT MIN	(C)	-35
AMBIENT MAX	(C)	+60
MODES		L-L, L-G, L-N, N-G
MLV	(V)	2710/-/1950/-
MCOV	(V)	510/-/255/-
IN <i>15 impulses 8/20μs</i>	(kA)	20
SCCR	(kA)	n/a
IMAX <i>8/20μs</i>	(kA)	40
Option		
Remote status dry contact electrical rating <i>Max Voltage</i>	V	250.0000
Remote status dry contact electrical rating <i>Max Current</i>	A	0.5000
RFI Filter		No
Installation		
Wiring type		screw
Solid wire cross section <i>Min</i>	mm ²	1.5000
Solid Wire cross section <i>Max</i>	mm ²	16.0000
Stranded Wire cross section <i>Min</i>	mm ²	1.5000
Stranded wire cross section <i>Max</i>	mm ²	10.0000
Wire gauge <i>Min</i>	AWG	15.0000
Wire gauge <i>Max</i>	AWG	5.0000
Torque	Nm	1.2-1.5
Torque	in-lbs	10.6-13.3
Strip Length	mm	16.0000
Strip Length	in	0.6300
Operating Temperature <i>Min</i>	°C	-40.0000
Operating Temperature <i>Max</i>	°C	85.0000
Operating Temperature <i>Min</i>	°F	-40.0000
Operating Temperature <i>Max</i>	°F	85.0000
Operating Relative Humidity <i>Max</i>	%RH	95
Operating Altitude <i>Min</i>	Ft	2000.0000
Operating Altitude <i>Max</i>	Ft	6500.0000
Housing/Enclosure material		Thermoplastic
Flammability rating <i>UL 94</i>		V0
Mounting		Rail Din
IP Environmental rating <i>IP</i>		IP20
Installation Location		Indoor / outdoor
Spare part		Module
Product Dimension <i>L</i>	mm	90.0000
Product Dimension <i>H</i>	mm	67.0000
Product Dimension <i>W</i>	mm	18.0000
Product Dimension <i>L</i>	In	3.5400
Product Dimension <i>H</i>	In	2.6300
Product Dimension <i>W</i>	In	0.7100
Miscellaneous		
Individual Pack		Yes

Storage Temperature $_{Min}$	°C	-40.0000
Storage Temperature $_{Max}$	°C	85.0000
Storage Temperature $_{Min}$	°F	-40.0000
Storage Temperature $_{Max}$	°F	85.0000
Storage Relative Humidity $_{Max}$	%RH	95.0000
Mechanical Characteristics		
Technology		MOV
Connection to Network		By screw terminals: 1.5-10mm ² (L/N) or 2.5-25mm ² (PE)
Format		Plug-in modular box
Failsafe mode		Disconnection from AC network
Weight		0.13 kg
TECHNOLOGY		MOV
NETWORK CONFIGURATION		1PH, 2W+G, Single Phase (or 2PH, 2W+G, Two Phase)
CONNECTION METHOD		Screw Terminal, 15-5AWG Solid Wire, 15-7AWG Stranded Wire
MOUNTING		Din Rail
MATERIAL		Thermoplastic UL94-V0
NEMA RATING (IP RATING)		NEMA 2 (IP20)
FAIL-SAFE BEHAVIOR		Disconnection via fuse-link
REAL-TIME DIAGNOSTICS		Visual indicator and remote contacts
DIMENSIONS		See diagram
WEIGHT		0.30 lbs
Standards		
Certification		UL Recognized
UL STANDARD		UL1449 5th Edition & UL121201
UL CATEGORY		VZCA2, VZCA8, VZCH, VZCH7
UL FILE NUMBER		E326289, E527348
UL121201 HAZARDOUS LOCATION		Class I, Division 2, Groups A, B, C & D: Operating. Temp. T5
STANDARDS		NOM-003-SCFI-2014, NOM-001-SCFI-1993
ENVIRONMENTAL STANDARDS		ROHS
Part number		
897008		