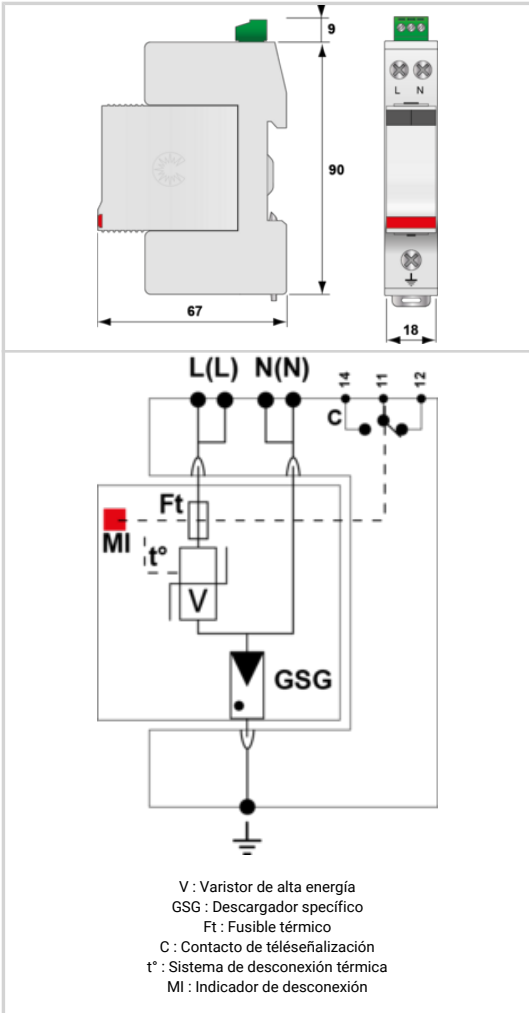




- ↳UL121201 Hazardous Locations
- ↳MOV+GSG Technology
- ↳UL1449 TYPE 4CA
- ↳40kA Surge Current Rating per module
- ↳Visual fault indicator and remote contacts
- ↳10-Year warranty



Características eléctricas		
Red		120 V monofásica
Corriente de descarga máxima total	I _{max} Total	40 kA
Capacidad máx. total en onda 8/20µs		
Modo(s) de protección		Modo Común o Mode Diferenciado
POWER SPD TYPE		UL1449 5th Ed. TYPE 4CA
TENSION	(V)	240/120
AC/DC/DC PV/RF		AC
FASE	(PH)	1S
AMPS	(A)	N/A
AMBIENT MIN	(C)	-35
AMBIENT MAX	(C)	+60
MODOS		L-L, L-G, L-N, N-G
MLV	(V)	-/1460/1890/1340
MCOV	(V)	-/150/150/255
IN	(kA)	20
I _{cc} cortocircuito	(kA)	n/a
IMAX	(kA)	40
Opción		
Remote status dry contact electrical rating	V	250.0000
Remote status dry contact electrical rating	A	0.5000
RFI Filter		No
Instalación		
Wiring type		screw
Operating Temperature	°C	-40.0000
Operating Temperature	°C	85.0000
Operating Relative Humidity	%RH	95
Housing/Enclosure material		Thermoplastic
Flammability rating		V0
IP Environmental rating		IP20
Installation Location		Indoor / outdoor
Spare part		Module
Miscelánea		
Storage Relative Humidity	%RH	95.0000
Características mecánicas		
Conexión a la red		Por terminales de tornillos: 1.5-10 mm ² (L/N) o 2.5-25 mm ² (PE)
Formato		Caja modular desenchufable
Modo de fallo		Desconexión de la red Baja Tensión
TECNOLOGIA		MOV+GSG
CONFIGURACION DE RED		2 pole, 2W+G, Single/Spilt Phase
FORMA DE CONEXION		Screw Terminal, 15-5AWG Solid Wire, 15-7AWG Stranded Wire
MONTAJE		Din Rail
MATERIAL		Thermoplastic UL94-V0
NEMA RATING (IP RATING)		NEMA 2 (IP20)
DESCONEXION SEGURA		Disconnection via fuse-link
REAL-TIME DIAGNOSTICS		Visual indicator and remote contacts
DIMENSIONS		See diagram (mm)
WEIGHT		0.30 lbs
Normas		
Certificación		UL Recognized
UL STANDARD		UL1449 5th Edition & UL121201
UL CATEGORY		VZCA2, VZCA8, VZCH, VZCH7
UL FILE NUMBER		E326289, E527348
UL121201 HAZARDOUS LOCATION		Class I, Division 2, Groups A, B, C & D: Operating. Temp. T5
NORMAS		NOM-003-SCFI-2014, NOM-001-SCFI-1993



UL121201 Hazardous Locations- I_{max} 40kA - In 20kA - Modular

DS240S-120/G-Ex

ENVIRONMENTAL STANDARDS	ROHS
Código	
897007	

