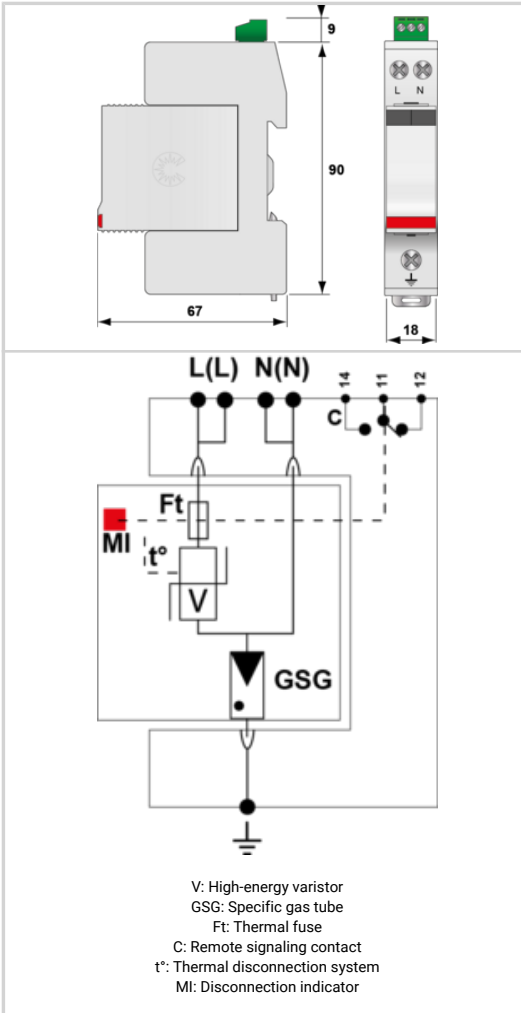




- UL121201 Hazardous Locations
- MOV+GSG Technology
- UL1449 TYPE 4CA
- 40kA Surge Current Rating per module
- Visual fault indicator and remote contacts
- 10-Year warranty



Electrical Characteristics			
Total Maximum discharge current <i>max. total withstand @ 8/20 μs</i>	I <sub>max</sub> Total		40 kA
Protection mode(s)			Common/Differential mode
POWER SPD TYPE			UL1449 5th Ed. TYPE 4CA
VOLTS	(V)		240/120
AC/DC/DC PV/RF			AC
PHASE	(PH)		1S
AMPS	(A)		N/A
AMBIENT MIN	(C)		-35
AMBIENT MAX	(C)		+60
MODES			L-L, L-G, L-N, N-G
MLV	(V)		-/1460/1890/1340
MCOV	(V)		-/150/150/255
IN 15 impulses 8/20μs	(kA)		20
SCCR	(kA)		n/a
IMAX 8/20μs	(kA)		40
Option			
Remote status dry contact electrical rating <i>Max Voltage</i>	V		250.0000
Remote status dry contact electrical rating <i>Max Current</i>	A		0.5000
RFI Filter			No
Installation			
Wiring type			screw
Operating Temperature <i>Min</i>	°C		-40.0000
Operating Temperature <i>Max</i>	°C		85.0000
Operating Relative Humidity <i>Max</i>	%RH		95
Housing/Enclosure material			Thermoplastic
Flammability rating <i>UL 94</i>			V0
IP Environmental rating <i>IP</i>			IP20
Installation Location			Indoor / outdoor
Spare part			Module
Miscellaneous			
Storage Relative Humidity <i>Max</i>	%RH		95.0000
Mechanical Characteristics			
Connection to Network			By screw terminals: 1.5-10mm <sup>2</sup> (L/N) or 2.5-25mm <sup>2</sup> (PE)
TECHNOLOGY			MOV+GSG
NETWORK CONFIGURATION			2 pole, 2W+G, Single/Spilt Phase
CONNECTION METHOD			Screw Terminal, 15-5AWG Solid Wire, 15-7AWG Stranded Wire
MOUNTING			Din Rail
MATERIAL			Thermoplastic UL94-V0
NEMA RATING (IP RATING)			NEMA 2 (IP20)
FAIL-SAFE BEHAVIOR			Disconnection via fuse-link
REAL-TIME DIAGNOSTICS			Visual indicator and remote contacts
DIMENSIONS			See diagram (mm)
WEIGHT			0.30 lbs
Standards			
Certification			UL Recognized
UL STANDARD			UL1449 5th Edition & UL121201
UL CATEGORY			VZCA2, VZCA8, VZCH, VZCH7
UL FILE NUMBER			E326289, E527348
UL121201 HAZARDOUS LOCATION			Class I, Division 2, Groups A, B, C & D: Operating. Temp. T5
STANDARDS			NOM-003-SCFI-2014, NOM-001-SCFI-1993
ENVIRONMENTAL STANDARDS			ROHS
Part number			
897007			





*UL121201 Hazardous Locations- I<sub>max</sub> 40kA - In 20kA - Modular*

---

**DS240S-120/G-Ex**

