

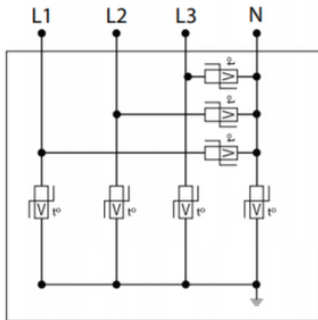


CITEL

MP80-480D



- Multi-TMOV Technology
- UL1449 Type 1 LISTED
- 88-220kA Surge Current Rating
- Visual fault indicator (LED per phase)
- Remote Alarm
- UL 1283 EMI Filter (Option available)
- 10-Year warranty



Electrical Characteristics	
POWER SPD TYPE	UL1449 TYPE 1 LISTED
VOLTS	(V) 480
AC/DC/DC PV/RF	AC
PHASE	(PH) 3D
AMPS	(A) N/A
AMBIENT MIN	(C) -35
AMBIENT MAX	(C) 85
MODES	L-L, L-G
VPR	(V) 3000/-/1800/-
MCOV	(V) 1100/-/550/-
IN	(kA) 20
15 impulses 8/20µs	
IMAX	(kA) 88
8/20µs	
Mechanical Characteristics	
TECHNOLOGY	Multi-TMOV
NETWORK CONFIGURATION	3PH, 3W+G, Delta
CONNECTION METHOD	36" #10 AWG LEADS
MOUNTING	FLANGE MOUNT
MATERIAL	Polycarbonate
NEMA RATING (IP RATING)	4X (IP67)
FAIL-SAFE BEHAVIOR	Yes, no upstream over current protection required
REAL-TIME DIAGNOSTICS	LED. Optional remote contacts.
DIMENSIONS	See diagram
Standards	
UL STANDARD	UL1449 5th Edition
UL CATEGORY	VZCA, VZCA7
UL FILE NUMBER	E326289
STANDARDS	NOM-003-SCFI-2014
ENVIRONMENTAL STANDARDS	ROHS
Part number	
<b>891880</b>	

