



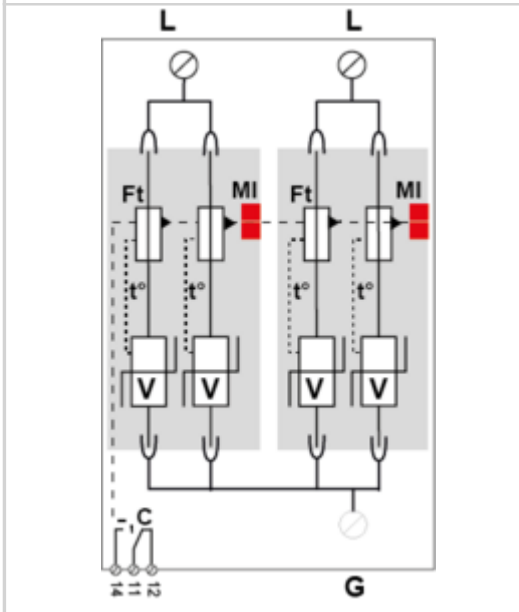
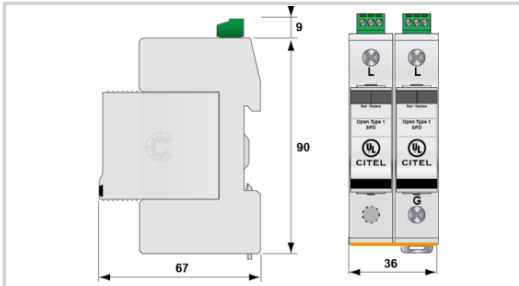
UL TYPE 1 SPD - I_{max} 75kA - In 20/30kA - Modular Assembly

CITEL

DS72US-120T/NN



- Multi-MOV Technology
- UL1449 Type 1 LISTED
- 75kA Surge Current Rating per module
- Visual fault indicator and remote contacts
- Replaceable Modules
- 10-Year warranty



Electrical Characteristics	
POWER SPD TYPE	UL1449 TYPE 1 LISTED
VOLTS	(V) 240/120
AC/DC/DC PV/RF	AC
PHASE	(PH) 1S
AMPS	(A) N/A
AMBIENT MIN	(C) -40
AMBIENT MAX	(C) +85
MODES	L-L, L-G
VPR	(V) 1200/-/800/-
MCOV	(V) 420/-/210/-
IN	(kA) 20
15 impulses 8/20 μ s	
SCCR	(kA) 200
IMAX	(kA) 75
8/20 μ s	
RELATIVE HUMIDITY	(%) 95%
Mechanical Characteristics	
TECHNOLOGY	Multi-MOV
NETWORK CONFIGURATION	2PH, 2W+G, Split Phase
CONNECTION METHOD	Screw Terminal, 13-2AWG Solid Wire, 13-4AWG Stranded Wire
MOUNTING	Din Rail
MATERIAL	Thermoplastic UL94-V0
NEMA RATING (IP RATING)	NEMA 2 (IP20)
FAIL-SAFE BEHAVIOR	Yes, no upstream over current protection required
REAL-TIME DIAGNOSTICS	Visual indicator and remote contacts
DIMENSIONS	See diagram
WEIGHT	0.60 lbs
Standards	
UL STANDARD	UL1449 5th Edition
UL CATEGORY	VZCA, VZCA7
UL FILE NUMBER	E326289
STANDARDS	NOM-003-SCFI-2014, NOM-001-SCFI-1993
ENVIRONMENTAL STANDARDS	ROHS
Part number	
32275225	

