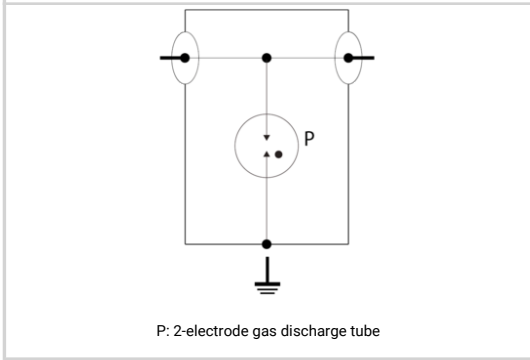
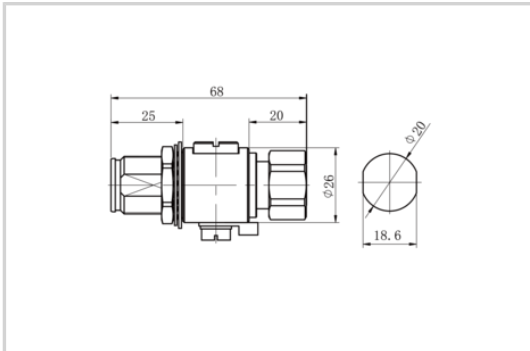




↳ 6GHz Bi-Directional Coaxial Surge Protector - High Energy GDT Technology - Low Insertion Loss - Field Replaceable GDT - Waterproof Design - DC Pass - UL497E Listed



Electrical Characteristics

| | | |
|---|-------|---------------|
| Max. DC operating voltage | Uc | 400 Vdc |
| Frequency range | f | DC-3.5 GHz |
| Insertion loss | | < 0.2 dB |
| Return loss | | > 20 dB |
| Impedance | | 50 ohms |
| VSWR | | <1.2:1 |
| Max. load current @25°C | IL | 10 A |
| Protection mode(s) | | Common mode |
| Impulse current 2 x 10/350µs Test - D1 Category | Iimp | 1 kA |
| Nominal discharge current C2 Category | In | 5 kA |
| Max Power | | 780 W |
| DC Pass | | Yes |
| Insulation resistance | IR | ≥10 GOhms |
| RF Power Maximum | W | 25.0000 |
| Return Loss Minimum | db | >20 |
| VSWR Maximum | :1 | <1.2:1 |
| Max Total Discharge Current I _{max} (8/20µs x 1) | kA | 10.0000 |
| Max Discharge Current I _{max} (8/20µs x 1) | kA | 10.0000 |
| RF SPD TYPE | | UL497E LISTED |
| VOLTS | (V) | 48 |
| AC/DC/DC PV/RF | | RF |
| WIRES | | 1W+GROUND |
| LINE CURRENT MAX | (A) | 10 |
| AMBIENT MIN | (C) | -40 |
| AMBIENT MAX | (C) | +85 |
| IMAX 8/20µs | (kA) | 20 |
| FREQUENCY RANGE | (GHz) | 0-4.0 |
| INSERTION LOSS (@ FREQ) | (db) | <0.2 |
| RETURN LOSS | (db) | >22 |
| VSWR | | <1.25:1 |

Installation

| | | |
|--|-----|-------------------------|
| Operating Temperature _{Min} | °C | -45.0000 |
| Operating Temperature _{Max} | °C | 85.0000 |
| Operating Temperature _{Min} | °F | -50.0000 |
| Operating Temperature _{Max} | °F | 85.0000 |
| Operating Relative Humidity _{Max} | %RH | Can be submerged |
| Operating Altitude _{Min} | Ft | 2000.0000 |
| Operating Altitude _{Max} | Ft | 6500.0000 |
| Housing/Enclosure material | | Cu, Zn, Sn plated Brass |
| Mounting | | Bracket or through hole |
| IP Environmental rating/IP | | IP65 |
| NEMA Environmental rating/NEMA | | NEMA 4 |
| Installation Location | | Indoor / outdoor |
| Spare part | | BB HF 90/20 |
| Accessories | | BK |
| Product Dimension _L | mm | 73.0000 |
| Product Dimension _H | mm | 36.0000 |
| Product Dimension _W | mm | 26.5000 |
| Product Dimension _L | In | 2.8700 |
| Product Dimension _H | In | 1.4200 |

| | | |
|-----------------------------------|----|--------------------------------------|
| Product Dimension <i>W</i> | In | 1.0400 |
| Miscellaneous | | |
| Individual Pack | | No |
| Storage Temperature <i>Min</i> | °C | -40.0000 |
| Storage Temperature <i>Max</i> | °C | 85.0000 |
| Storage Temperature <i>Min</i> | °F | -40.0000 |
| Storage Temperature <i>Max</i> | °F | 85.0000 |
| Mechanical Characteristics | | |
| Technology | | Gas discharge tube |
| Connection to Network | | Connector 4.3-10 Male/Female |
| Failsafe mode | | Short-circuit |
| Contacts | | Bronze/Surface Au-Ag |
| Insulation material | | PTFE |
| Weight | | 0.159 kg |
| TECHNOLOGY | | GDT |
| CONNECTION METHOD | | SERIES CONNECTOR, BI-DIRECTIONAL |
| MOUNTING | | BULKHEAD, OPTIONAL BRACKET |
| MATERIAL | | Cu, Zn, Sn plated Brass, PTFE |
| NEMA RATING (IP RATING) | | NEMA 6P (IP67) |
| DIMENSIONS | | See diagram |
| WEIGHT | | 0.30 lbs |
| Standards | | |
| RohS compliance | | Yes |
| UL STANDARD | | UL497E |
| UL CATEGORY | | QVLA |
| UL FILE NUMBER | | E349646 |
| STANDARDS | | NOM-003-SCFI-2014, NOM-001-SCFI-1993 |
| ENVIRONMENTAL STANDARDS | | ROHS |
| Part number | | |
| 60907 | | |