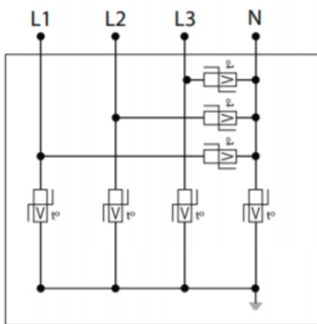


## MS100-120Y



- Multi-TMOV Technology
- UL1449 Type 1 LISTED
- 105-220kA Surge Current Rating
- Visual fault indicator (optional audible and remote contacts)
- 10-Year warranty



Electrical Characteristics		
POWER SPD TYPE		UL1449 TYPE 1/2 LISTED
VOLTS	[V]	120/208
AC/DC/DC PV/RF		AC
PHASE	[PH]	3Y
AMPS	[A]	-
AMBIENT MIN	[C]	-35
AMBIENT MAX	[C]	+85
MODES		L-L, L-N, L-G, N-G
VPR	[V]	1000/700/700/700
MCOV	[V]	300/150/150/150
IN(15 impulses 8/20µs)	[kA]	20
IMAX(8/20µs)	[kA]	132
Mechanical Characteristics		
TECHNOLOGY		Multi-TMOV
NETWORK CONFIGURATION		3PH, 4W+G, Wye
CONNECTION METHOD		3/6" #10 AWG LEADS
MOUNTING		FLANGE MOUNT
MATERIAL		Carbon steel
NEMA RATING (IP RATING)		3R/4/12
FAIL-SAFE BEHAVIOR		Yes, no upstream over current protection required
REAL-TIME DIAGNOSTICS		% of protection present LED, audible alarm and remote contacts. Optional surge counter.
DIMENSIONS		See diagram [mm]
WEIGHT		6 lbs
Standards		
UL STANDARD		UL1449 4th Edition
UL CATEGORY		VZCA, VZCA7
UL FILE NUMBER		E326289
STANDARDS		UL96A, NOM-003-SCFI-2014, NOM-001-SCFI-1993
ENVIRONMENTAL STANDARDS		ROHS
Part number		
890119		