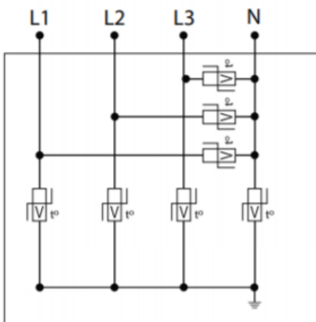


MS200-240DCT



- ↳ Multi-TMOV Technology
- ↳ UL1449 Type 1 LISTED
- ↳ 105-220kA Surge Current Rating
- ↳ Visual fault indicator, audible alarm and remote contacts
- ↳ 10-Year warranty



Electrical Characteristics		
POWER SPD TYPE		UL1449 TYPE 1/2 LISTED
VOLTS	(V)	120/240
AC/DC/DC PV/RF		AC
PHASE	(PH)	3H
AMPS	(A)	-
AMBIENT MIN	(C)	-35
AMBIENT MAX	(C)	+85
MODES		L-L, L-N, L-G, N-G, H-L, H-N, H-G
VPR	(V)	1000/700/700/700 (3000/700/700)
MCOV	(V)	300/150/150/150 (470/320/320)
IN(15 impulses 8/20µs)	(kA)	20
IMAX(8/20µs)	(kA)	220
Mechanical Characteristics		
TECHNOLOGY		Multi-TMOV
NETWORK CONFIGURATION		3PH, 4W+G, Hi-Leg Delta
CONNECTION METHOD		36" #10 AWG LEADS
MOUNTING		FLANGE MOUNT
MATERIAL		Carbon steel
NEMA RATING (IP RATING)		3R/4/12
FAIL-SAFE BEHAVIOR		Yes, no upstream over current protection required
REAL-TIME DIAGNOSTICS		% of protection present LED, audible alarm and remote contacts. Optional surge counter.
DIMENSIONS		See diagram (mm)
WEIGHT		6 lbs
Standards		
Certification		UL listed
UL STANDARD		UL1449 4th Edition
UL CATEGORY		VZCA, VZCA7
UL FILE NUMBER		E326289
STANDARDS		UL96A, NOM-003-SCFI-2014, NOM-001-SCFI-1993
ENVIRONMENTAL STANDARDS		ROHS
Part number		
<b>890133</b>		