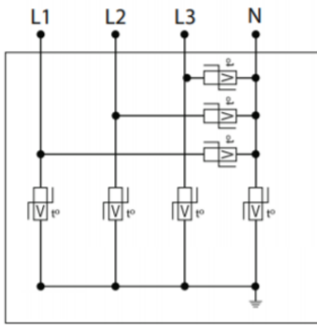




- Multi-TMOV Technology
- UL1449 Type 1 LISTED
- 105-220kA Surge Current Rating
- Visual fault indicator, audible alarm and remote contacts
- 10-Year warranty



Electrical Characteristics	
POWER SPD TYPE	UL1449 TYPE 1/2 LISTED
VOLTS	[V] 347/600
AC/DC/DC PV/RF	AC
PHASE	(PH) 3Y
AMPS	[A] -
AMBIENT MIN	[C] -35
AMBIENT MAX	[C] +85
MODES	L-L, L-N, L-G, N-G
VPR	[V] 3000/1800/1800/1800
MCOV	[V] 1100/550/550/550
IN(15 impulses 8/20µs)	[kA] 20
IMAX(8/20µs)	[kA] 220
Mechanical Characteristics	
TECHNOLOGY	Multi-TMOV
NETWORK CONFIGURATION	3PH, 4W+G, Wye
CONNECTION METHOD	36" #10 AWG LEADS
MOUNTING	FLANGE MOUNT
MATERIAL	Carbon steel
NEMA RATING (IP RATING)	3R/4/12
FAIL-SAFE BEHAVIOR	Yes, no upstream over current protection required
REAL-TIME DIAGNOSTICS	% of protection present LED, audible alarm and remote contacts. Optional surge counter.
DIMENSIONS	See diagram [mm]
WEIGHT	6 lbs
Standards	
UL STANDARD	UL1449 4th Edition
UL CATEGORY	VZCA, VZCA7
UL FILE NUMBER	E326289
STANDARDS	UL96A, NOM-003-SCFI-2014, NOM-001-SCFI-1993
ENVIRONMENTAL STANDARDS	ROHS
Part number	
890131	