

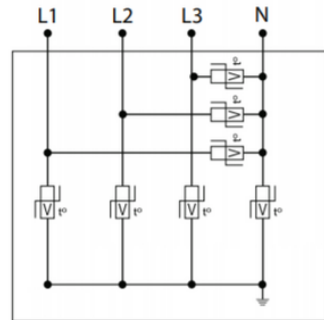
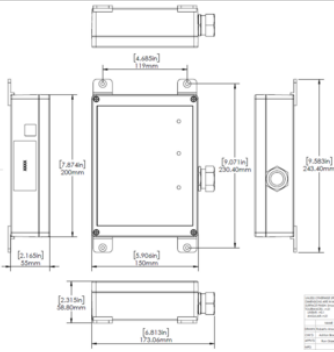


CITEL

MP100-480DCT



- Multi-TMOV Technology
- UL1449 Type 1 LISTED
- 132kA I_{max} Surge Current Rating
- Visual fault indicator (optional remote contacts)
- 10-Year warranty



Electrical Characteristics		
POWER SPD TYPE		UL1449 TYPE 1 LISTED
VOLTS	(V)	240/480
AC/DC/DC PV/RF		AC
PHASE	(PH)	3H
AMPS	(A)	N/A
AMBIENT MIN	(C)	-35
AMBIENT MAX	(C)	85
MODES		L-L, L-N, L-G, N-G, H-L, H-N, H-G
VPR	(V)	1800/1000/1200/1000(3000/1000/1200)
MCOV	(V)	690/320/320/320(870/550/550)
IN	(kA)	20
15 impulses 8/20μs		
IMAX	(kA)	132
8/20μs		
Mechanical Characteristics		
TECHNOLOGY		Multi-TMOV
NETWORK CONFIGURATION		3PH, 4W+G, Hi-Leg Delta
CONNECTION METHOD		36" #10 AWG LEADS
MOUNTING		FLANGE MOUNT
MATERIAL		Polycarbonate
NEMA RATING (IP RATING)		4X (IP67)
FAIL-SAFE BEHAVIOR		Yes, no upstream over current protection required
REAL-TIME DIAGNOSTICS		LED. Optional remote contacts.
DIMENSIONS		See diagram
WEIGHT		6 lbs
Standards		
UL STANDARD		UL1449 5th Edition
UL CATEGORY		VZCA, VZCA7
UL FILE NUMBER		E326289
STANDARDS		NOM-003-SCFI-2014
ENVIRONMENTAL STANDARDS		ROHS
Part number		
891816		

