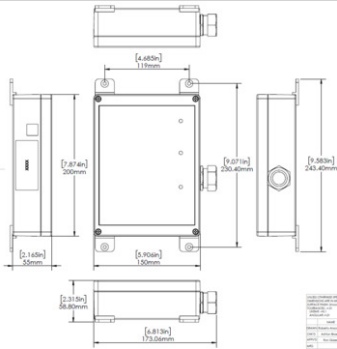
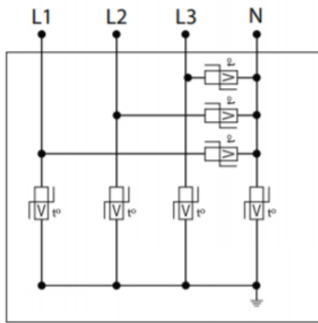


MP100-120T



Electrical Characteristics

POWER SPD TYPE		UL1449 TYPE 1/2 LISTED
VOLTS	(V)	120/240
AC/DC/DC PV/RF		AC
PHASE	(PH)	1
AMPS	(A)	-
AMBIENT MIN	(C)	-35
AMBIENT MAX	(C)	85
MODES		L-L, L-N, L-G, N-G
VPR	(V)	1000/700/700/700
MCOV	(V)	300/150/150/150
IN(15 impulses 8/20µs)	(kA)	20
IMAX(8/20µs)	(kA)	132



Mechanical Characteristics

TECHNOLOGY		Multi-TMOV
NETWORK CONFIGURATION		1PH, 3W+G, Split Phase
CONNECTION METHOD		36" #10 AWG LEADS
MOUNTING		FLANGE MOUNT
MATERIAL		Polycarbonate
NEMA RATING (IP RATING)		4X
FAIL-SAFE BEHAVIOR		Yes, no upstream over current protection required
REAL-TIME DIAGNOSTICS		LED. Optional audible alarm and remote contacts.
DIMENSIONS		See diagram (mm)
WEIGHT		6 lbs

Standards

UL STANDARD		UL1449 4th Edition
UL CATEGORY		VZCA, VZCA7
UL FILE NUMBER		E326289
STANDARDS		NOM-003-SCFI-2014
ENVIRONMENTAL STANDARDS		ROHS

Part number

891803