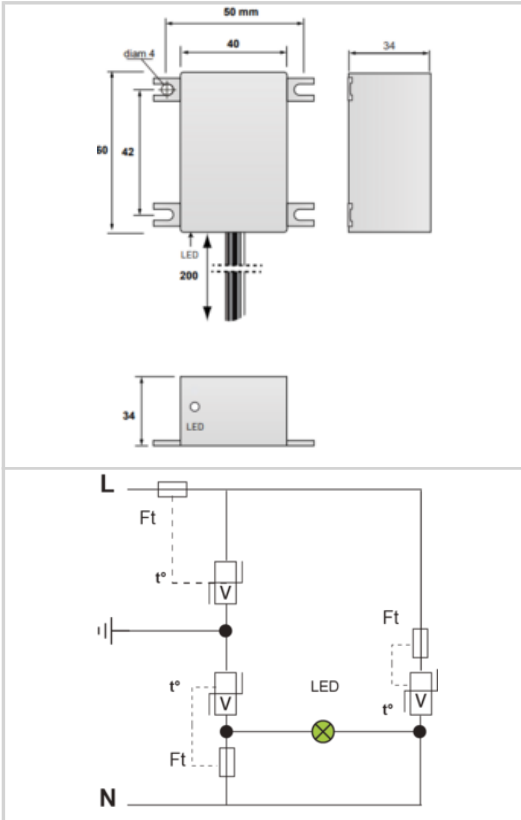


- MOV Technology
- for 120-277Vac LED applications
- I_{max} 20kA, I_n 10kA
- LED indicator
- IP67
- ANSI/IEEE C136.2 Extreme
- ANSI/IEEE C62.41 Category C
- UL Type 4CA
- 10-year Warranty



Características eléctricas		
POWER SPD TYPE		UL1449 5th Ed. TYPE 4CA
TENSION	(V)	277
AC/DC/DC PV/RF		AC
FASE	(PH)	1
AMPS	(A)	N/A
AMBIENT MIN	(C)	-35
AMBIENT MAX	(C)	+75
MODOS		L-L, L-G, L-N, N-G
MLV	(V)	1570/1600/1490
MCOV	(V)	320/320/320
IN	(kA)	10
I _{cc} cortocircuito	(kA)	n/a
IMAX	(kA)	22
Características mecánicas		
TECNOLOGIA		Thermal-MOV
CONFIGURACION DE RED		2 pole, 2W+G, Single/Spilt Phase
FORMA DE CONEXION		150mm/5.97" #16 AWG Lead Wires
MONTAJE		FLANGE MOUNT
MATERIAL		Thermoplastic UL94-V0
NEMA RATING (IP RATING)		NEMA 6P (IP67)
DESCONEXION SEGURA		Disconnection via fuse-link
REAL-TIME DIAGNOSTICS		LED Indicator
DIMENSIONS		See diagram
WEIGHT		0.30 lbs
Normas		
UL STANDARD		UL1449 5th Edition
UL CATEGORY		VZCA2, VZCA8
UL FILE NUMBER		E326289
NORMAS		IEC 61643-11, NOM-003-SCFI-2014, NOM-001-SCFI-1993
ANSI/IEEE C62.41		Category C 20kV/10kA
ANSI/IEEE C136.2		Extreme Category 20kV/10kA
ENVIRONMENTAL STANDARDS		ROHS
Código		
7113695		

