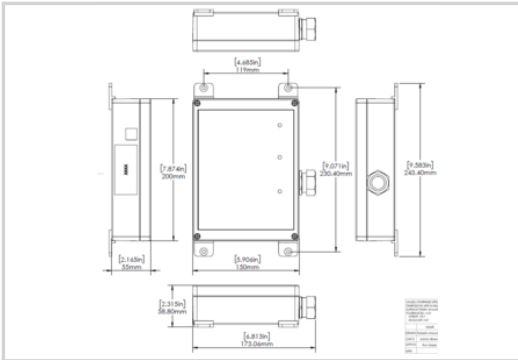
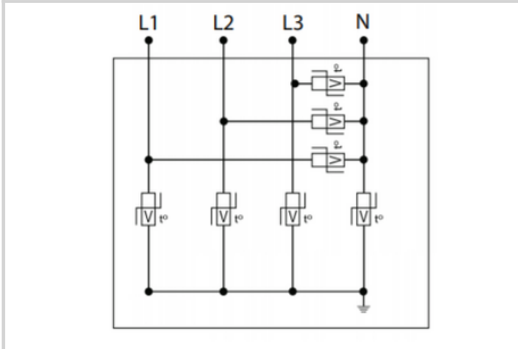




- ↳ Multi-TMOV Technology
- ↳ UL1449 Type 1 LISTED
- ↳ 220kA Surge Current Rating (Imax/phase)
- ↳ Visual fault indicator (optional remote contacts)
- ↳ 10-Year warranty



Electrical Characteristics		
POWER SPD TYPE		UL1449 TYPE 1 LISTED
VOLTS	(V)	277/480
AC/DC/DC PV/RF		AC
PHASE	(PH)	3Y
AMPS	(A)	N/A
AMBIENT MIN	(C)	-35
AMBIENT MAX	(C)	85
MODES		L-L, L-N, L-G, N-G
VPR	(V)	1800/1000/1200/1000
MCOV	(V)	640/320/320/320
IN	(kA)	20
15 impulses 8/20µs		
IMAX	(kA)	220
8/20µs		



Mechanical Characteristics	
TECHNOLOGY	Multi-TMOV
NETWORK CONFIGURATION	3PH, 4W+G, Wye
CONNECTION METHOD	36" #10 AWG LEADS
MOUNTING	FLANGE MOUNT
MATERIAL	Polycarbonate
NEMA RATING (IP RATING)	4X (IP67)
FAIL-SAFE BEHAVIOR	Yes, no upstream over current protection required
REAL-TIME DIAGNOSTICS	LED. Optional remote contacts.
DIMENSIONS	See diagram
WEIGHT	6 lbs

Standards	
UL STANDARD	UL1449 5th Edition
UL CATEGORY	VZCA, VZCA7
UL FILE NUMBER	E326289
STANDARDS	NOM-003-SCFI-2014
ENVIRONMENTAL STANDARDS	ROHS

Part number	
	891808

