



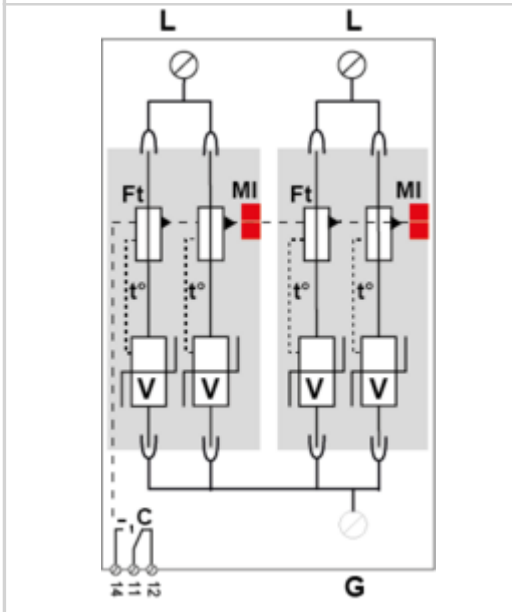
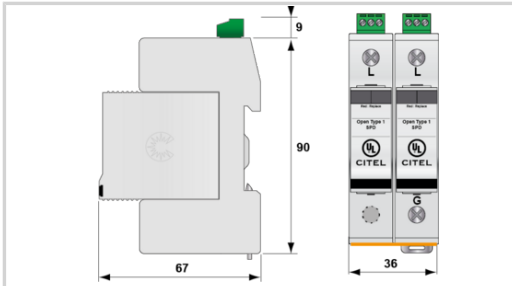
# UL TYPE 1 SPD - I<sub>max</sub> 75kA - In 20/30kA - Modular Assembly

# CITEL

## DS72US-240T/NN



- Multi-MOV Technology
- UL1449 Type 1 LISTED
- 75kA Surge Current Rating per module
- Visual fault indicator and remote contacts
- Replaceable Modules
- 10-Year warranty



Características eléctricas	
POWER SPD TYPE	UL1449 TYPE 1 LISTED
TENSION (V)	480/240
AC/DC/DC PV/RF	AC
FASE (PH)	1S
AMPS (A)	N/A
AMBIENT MIN (C)	-40
AMBIENT MAX (C)	+85
MODOS	L-L, L-G
VPR (V)	2500/-/1500/-
MCOV (V)	840/-/420/-
IN (kA)	20
I <sub>cc cortocircuito</sub> (kA)	200
IMAX (kA)	75
RELATIVE HUMIDITY (%)	95%
Características mecánicas	
Peso	0,296 kg
TECNOLOGIA	Multi-MOV
CONFIGURACION DE RED	2PH, 2W+G, Split Phase
FORMA DE CONEXION	Screw Terminal, 13-2AWG Solid Wire, 13-4AWG Stranded Wire
MONTAJE	Din Rail
MATERIAL	Thermoplastic UL94-V0
NEMA RATING (IP RATING)	NEMA 2 (IP20)
DESCONEXION SEGURA	Disconnection via fuse-link
REAL-TIME DIAGNOSTICS	Visual indicator and remote contacts
DIMENSIONS	See diagram
WEIGHT	0.65 lbs
Normas	
Certificación	UL Listed / TUV
UL STANDARD	UL1449 5th Edition
UL CATEGORY	VZCA, VZCA7
UL FILE NUMBER	E326289
NORMAS	NOM-003-SCFI-2014, NOM-001-SCFI-1993
ENVIRONMENTAL STANDARDS	ROHS
Código	
32195255	

