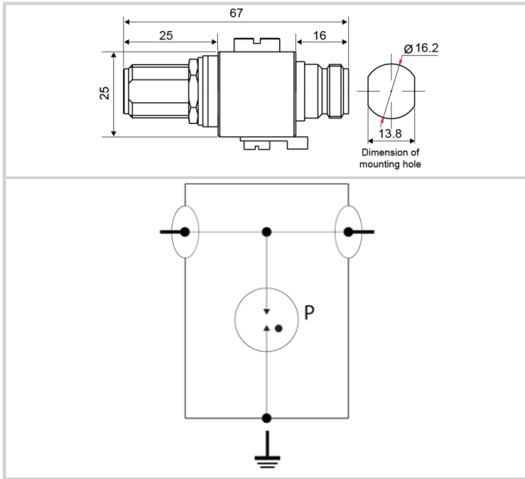


P8AX25-6G-N/FF



- Gas Discharge Tube Technology, DC Pass
- Frequency Range 0-6.9GHz
- I_{max} 20kA, 10kA (UL), I_n 10kA
- IP67 Outdoor Rated
- N-Type Connector
- Bi-Directional
- Replaceable Gas Tube



| Características eléctricas | | |
|---|-------|-------------------------|
| Tensión DC máx. de operación | Uc | 200 Vdc |
| Gama de frecuencia | f | DC-7 GHz |
| Perdida de inserción | | < 0.2 dB |
| Return loss | | > 19 dB |
| Impedancia | | 50 ohms |
| VSWR - ROE | | <1.25:1 |
| Corriente máx. De línea @25°C | IL | 10 A |
| Modo(s) de protección | | Modo común |
| Corriente de choque Prueba 10/350µs x 2 - categoría D1 | Iimp | 1 kA |
| Corriente de descarga nominal Prueba 8/20µs x 10 - categoría C2 | In | 5 kA |
| Potencia máx. | | 190 W |
| DC Pass | | Yes |
| Resistencia de aislamiento | IR | ≥10 GOhms |
| RF SPD TYPE | | UL497E LISTED |
| TENSION | (V) | 48 |
| AC/DC/DC PV/RF | | RF |
| WIRES | | 1W+GROUND |
| LINE CURRENT MAX | (A) | 10 |
| POWER RATING | (W) | 240 |
| AMBIENT MIN | (C) | -40 |
| AMBIENT MAX | (C) | +85 |
| RESIDUAL VOLTAGE | (V) | 1000 |
| IMAX | (kA) | 20 |
| FREQUENCY RANGE | (GHz) | 0-6.9 |
| INSERTION LOSS (@ FREQ) | (db) | <0.2 |
| RETURN LOSS | (db) | >22 |
| VSWR | | <1.25:1 |
| IMPEDANCE | Ω | 50 |
| Instalación | | |
| Operating Temperature | °C | -45.0000 |
| Operating Temperature | °C | 85.0000 |
| Operating Temperature | °F | -50.0000 |
| Operating Temperature | °F | 85.0000 |
| Operating Relative Humidity | %RH | Can be submerged |
| Operating Altitude | Ft | 2000.0000 |
| Operating Altitude | Ft | 6500.0000 |
| Housing/Enclosure material | | Cu, Zn, Sn plated Brass |
| Mounting | | Bracket or through hole |
| IP Environmental rating | | IP65 |
| NEMA Environmental rating | | NEMA 4 |
| Installation Location | | Indoor / outdoor |
| Spare part | | BA HF 250/20 |
| Accesorio | | BK |
| Product Dimension | mm | 67.0000 |
| Product Dimension | mm | 25.0000 |
| Product Dimension | mm | 13.8000 |
| Product Dimension | In | 2.6400 |
| Product Dimension | In | 0.9800 |
| Product Dimension | In | 0.5400 |
| Miscelánea | | |
| Individual Pack | | No |
| Storage Temperature | °C | -40.0000 |
| Storage Temperature | °C | 85.0000 |

P8AX25-6G-N/FF

| | | |
|----------------------------------|----|--------------------------------------|
| Storage Temperature | °F | -40.0000 |
| Storage Temperature | °F | 85.0000 |
| Características mecánicas | | |
| Conexión a la red | | Conector N Hembra/Hembra |
| Contact | | Bronce/Superficie Au-Ag |
| Peso | | 0.165 kg |
| TECNOLOGIA | | GDT |
| FORMA DE CONEXION | | SERIES CONNECTOR, BI-DIRECTIONAL |
| CONNECTOR TYPE | | N |
| GENDER | | FEMALE TO FEMALE |
| MONTAJE | | BULKHEAD, OPTIONAL BRACKET |
| MATERIAL | | Cu, Zn, Sn plated Brass, PTFE |
| NEMA RATING (IP RATING) | | NEMA 6P (IP67) |
| DIMENSIONS | | See diagram |
| WEIGHT | | 0.30 lbs |
| SPARE PART | | BA HF 250/20 |
| Normas | | |
| Conformidad RoHs | | Si |
| UL STANDARD | | UL497E |
| UL CATEGORY | | QVLA |
| UL FILE NUMBER | | E349646 |
| NORMAS | | NOM-003-SCFI-2014, NOM-001-SCFI-1993 |
| ENVIRONMENTAL STANDARDS | | ROHS |
| Código | | |
| 68014 | | |