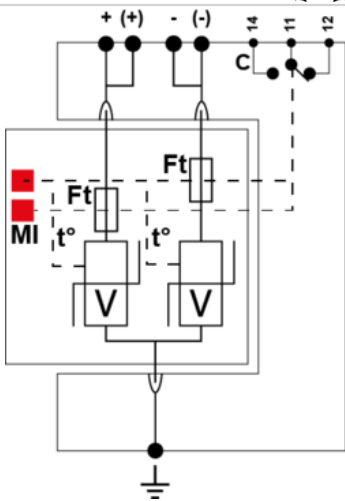
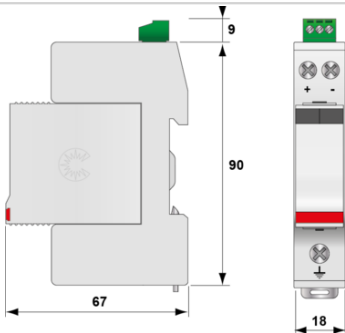


DS240S-95DC



- MOV Technology
- UL1449 Type 4CA
- 40kA Surge Current Rating per module
- Visual fault indicator and remote contacts
- 10-Year warranty



V: High-energy varistor
 Ft: Thermal fuse
 C: Remote signal contact
 t°: Thermal disconnection system
 MI: Disconnection indicator

Caractéristiques Électriques

SPD type (following IEC tests)		2
Protection level +/-PE ([-/PE])(@ I _n 8/20µs)	Up	450 V
POWER SPD TYPE		IEC Type 2
VOLTS	(V)	95
AC/DC/DC PV/RF		DC
PHASE	(PH)	-
AMPS	(A)	n/a
AMBIENT MIN	(C)	-35
AMBIENT MAX	(C)	+85
MODES		DC+-DC-,DC+-G,DC--G
IN(15 impulses 8/20µs)	(kA)	20.0000
SCCR	(kA)	n/a
IMAX(8/20µs)	(kA)	40

Caractéristiques Mécaniques

TECHNOLOGY		MOV
NETWORK CONFIGURATION		2W+G
CONNECTION METHOD		Screw Terminal (8-12AWG)
MOUNTING		DIN RAIL
MATERIAL		Thermoplastic UL94-V0
NEMA RATING (IP RATING)		NEMA 2 (IP20)
FAIL-SAFE BEHAVIOR		Disconnection via fuse-link
REAL-TIME DIAGNOSTICS		Visual indicator and remote contacts
DIMENSIONS		See diagram
WEIGHT		0.30 lbs

Normes

UL STANDARD		UL1449 4th Edition
UL CATEGORY		VZCA2, VZCA8
UL FILE NUMBER		E326289
STANDARDS		IEC 61643-11, NOM-003-SCFI-2014, NOM-001-SCFI-1993
ENVIRONMENTAL STANDARDS		ROHS

Code article

310311

