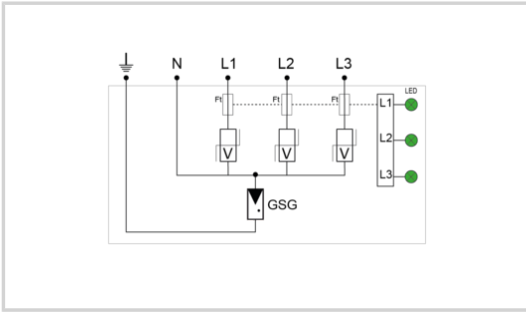




- ↳ Hybrid MOV-GSG Technology
- ↳ UL1449 Type 1 LISTED
- ↳ 50kA Surge Current Rating per mode
- ↳ Extended life with no leakage current
- ↳ Visual LED fault indicator and audible alarm
- ↳ NEMA 6 (exceeds NEMA 4X or 4)
- ↳ Optional Type 2 LISTED with UL1283 Filter
- ↳ 10-Year warranty



Características eléctricas		
Let through Voltage	V	1500.0000
POWER SPD TYPE		UL1449 TYPE 2 LISTED
TENSION	(V)	480/240
AC/DC/DC PV/RF		AC
FASE	(PH)	1S
AMPS	(A)	N/A
AMBIENT MIN	(C)	-35
AMBIENT MAX	(C)	+80
MODOS		L-L, L-N, L-G, N-G
VPR	(V)	2500/1200/1500/1200
MCOV	(V)	480/280//280/240
IN	(kA)	20
Icc cortocircuito	(kA)	150
IMAX	(kA)	50
Instalación		
Operating Temperature	°C	-40.0000
Operating Temperature	°C	85.0000
Operating Temperature	°F	-40.0000
Operating Temperature	°F	85.0000
Operating Relative Humidity	%RH	Can be submerged
Operating Altitude	Ft	2000.0000
Operating Altitude	Ft	6500.0000
Housing/Enclosure material		Aluminum cast
Mounting		Side mount
IP Environmental rating		IP66
NEMA Environmental rating		NEMA 6
Installation Location		Indoor / outdoor
Accesorio		Soportes
Product Dimension	mm	102.0000
Product Dimension	mm	62.0000
Product Dimension	mm	88.0000
Product Dimension	In	4.0160
Product Dimension	In	2.4410
Product Dimension	In	3.4650
Miscelánea		
Individual Pack		Yes
Storage Temperature	°C	-40.0000
Storage Temperature	°C	85.0000
Storage Temperature	°F	-40.0000
Storage Temperature	°F	85.0000
Características mecánicas		
TECNOLOGIA		MOV-GSG
CONFIGURACION DE RED		1PH, 3W+G, Split Phase
FORMA DE CONEXION		36" #12 AWG LEADS
MONTAJE		SIDE MOUNT, THREADED M22 (1/4" NPT ADAPTER)
MATERIAL		Aluminum cast
NEMA RATING (IP RATING)		6
DESCONEXION SEGURA		Yes, no upstream over current protection required
REAL-TIME DIAGNOSTICS		LED and audible alarm
DIMENSIONS		See diagram
WEIGHT		2.5 lbs.
Normas		
UL STANDARD		UL1449 5th Edition
UL CATEGORY		VZCA, VZCA7
UL FILE NUMBER		E326289
NORMAS		NOM-003-SCFI-2014, NOM-001-SCFI-1993

ENVIRONMENTAL STANDARDS	ROHS
Código	
89750412	