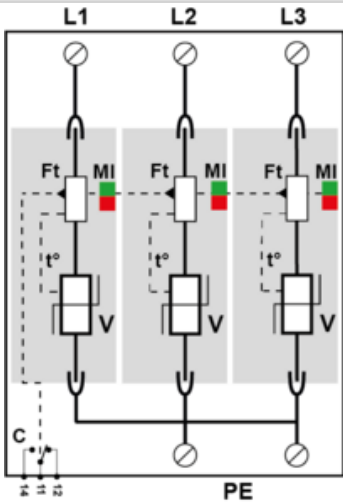
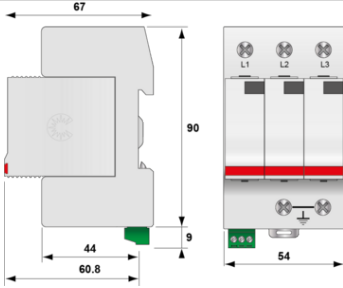
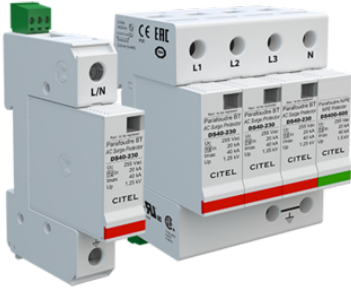




CITEL

DS43S-280



V: High-energy varistor
 Ft: Thermal fuse
 t*: Thermal disconnection system
 MI: Disconnection indicator

Electrical Characteristics

Network		230/400 V 3-phase
Total Maximum discharge current <i>max. total withstand @ 8/20 μs</i>	I _{max} Total	120 kA
Protection mode(s)		Common mode
POWER SPD TYPE		UL1449 5th Ed. TYPE 4CA
AC/DC/DC PV/RF		AC
AMPS	(A)	N/A
AMBIENT MIN	(C)	-35
AMBIENT MAX	(C)	+60
IN <i>15 impulses 8/20μs</i>	(kA)	20
SCCR	(kA)	n/a
IMAX <i>8/20μs</i>	(kA)	40
I _{imp} <i>10/350μs</i>	(kA)	4

Mechanical Characteristics

Technology		MOV
Connection to Network		By screw terminals: 2.5-25mm ² / by bus
Format		Plug-in modular box
Failsafe mode		Disconnection from AC network
CONNECTION METHOD		SPD-Screw Terminal (8-12AWG), Terminal blocks 6AWG
MOUNTING		Din Rail
MATERIAL		Thermoplastic UL94-V0
NEMA RATING (IP RATING)		NEMA 2 (IP20)
FAIL-SAFE BEHAVIOR		Disconnection via fuse-link
REAL-TIME DIAGNOSTICS		Visual indicator and remote contacts
DIMENSIONS		See diagram

Standards

Certification		CSA / UL Listed
UL STANDARD		UL1449 5th Edition
UL CATEGORY		VZCA2, VZCA8
UL FILE NUMBER		E326289
STANDARDS		NOM-003-SCFI-2014, NOM-001-SCFI-1993
ENVIRONMENTAL STANDARDS		ROHS

Part number

461123

