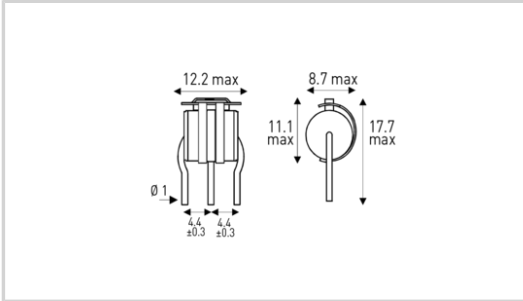


- ↳ 3-electrode GDT
- ↳ Not radioactive
- ↳ ITU-K12 compliant



Electrical Characteristics		
DC sparkover voltage (100V/s)		200-300 V
DC spark voltage tolerance		+/- 20%
Maximum impulse sparkover voltage (1kV/μs)		≤680 V
Nominal discharge current 10 x 8/20μs impulses	In	20 kA
Total Maximum discharge current max. total withstand @ 8 /20 μs	Imax Total	25 kA
Max. capacitance	C	<0.9 pF
Insulation resistance	IR	≥10 GOhms
Arc Voltage		≤ 25 V
Glow-to-arc transition current		0.5 A
Glow voltage		≤ 100 V
AC discharge current (50Hz)		20 A
DC Holdover voltage R = 300 ohms in serie R = 150 ohms; 100nF en parrallel		>80 V
Mechanical Characteristics		
Operating and storage temperature		-40°C / +90°C
Standards		
Certification		UL Recognized / ROHS
RohS compliance		Yes
Part number		
<b>9293559</b>		

Note: At delivery AQL 0.65 II, DIN ISO 2859

