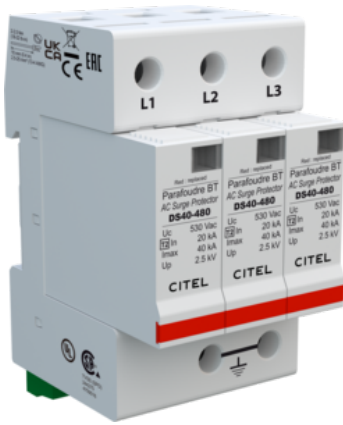




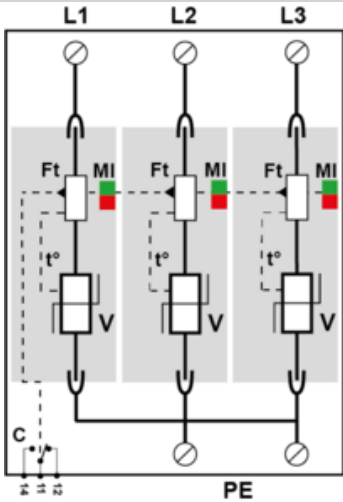
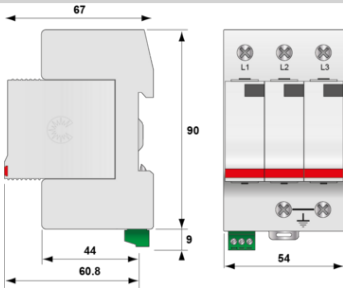
UL TYPE 1 SPD - I_{max} 40kA - I_n 20kA - Modular

CITEL

DS43S-480



- ↳ UL1449 TYPE 1 LISTED SPD
- ↳ MOV Technology
- ↳ 40kA Surge Current Rating
- ↳ Visual fault indicator and remote contacts
- ↳ 10-Year warranty



V : Varistor de alta energía
 Ft : Fusible térmico
 t° : Sistema de desconexión térmica
 MI : Indicador de desconexión

Características eléctricas	
Red	800 V Trifásica
Corriente de descarga máxima total	I _{max} Total 120 kA
Capacidad máx. total en onda 8/20µs	
Modo(s) de protección	Modo común
POWER SPD TYPE	UL1449 TYPE 1 LISTED
TENSION	(V) 480
AC/DC/DC PV/RF	AC
FASE	(PH) 3D
AMPS	(A) N/A
AMBIENT MIN	(C) -35
AMBIENT MAX	(C) +60
MODOS	L-L, L-G
VPR	(V) 4000/-/1800/-
MCOV	(V) 550/-/550/-
IN	(kA) 20
I _{cc} cortocircuito	(kA) 100
IMAX	(kA) 40
I _{imp}	(kA) 4
Opción	
RFI Filter	no
Instalación	
Wiring type	Screw
Solid wire cross section	mm ² 2.5000
Solid Wire cross section	mm ² 35.0000
Stranded Wire cross section	mm ² 2.5000
Stranded wire cross section	mm ² 25.0000
Wire gauge	AWG 13.0000
Wire gauge	AWG 2.0000
Torque	Nm 2.0 - 2.5
Torque	in-lbs 17.8 - 22.1
Strip Length	mm 13.0000
Strip Length	in 0.5000
Operating Temperature	°C -40.0000
Operating Temperature	°C 85.0000
Operating Temperature	°F -40.0000
Operating Temperature	°F 85.0000
Operating Relative Humidity	%RH 95
Operating Altitude	Ft 2000.0000
Operating Altitude	Ft 6500.0000
Housing/Enclosure material	Thermoplastic
Flammability rating	V0
Mounting	Din Rail
IP Environmental rating	IP20
NEMA Environmental rating	NEMA 1
Installation Location	Indoor
Spare part	Module
Product Dimension	mm 99.0000
Product Dimension	mm 67.0000
Product Dimension	mm 54.0000
Product Dimension	In 3.8900
Product Dimension	In 2.6400
Product Dimension	In 2.1300
Miscelánea	
Individual Pack	Yes



CITEL

UL TYPE 1 SPD - I_{max} 40kA - I_n 20kA - Modular

DS43S-480

Storage Temperature	°C	-40.0000
Storage Temperature	°C	85.0000
Storage Temperature	°F	-40.0000
Storage Temperature	°F	85.0000
Storage Relative Humidity	%RH	95.0000
Características mecánicas		
Tecnología		MOV
Conexión a la red		Por terminales de tornillos: 2.5-25 mm ² / por bus
Formato		Caja modular desenchufable
Modo de fallo		Desconexión de la red Baja Tensión
Peso		0.31 kg
TECNOLOGIA		MOV
CONFIGURACION DE RED		3PH, 3W+G, Delta
FORMA DE CONEXION		SPD-Screw Terminal (8-12AWG), Terminal blocks 6AWG
MONTAJE		Din Rail
MATERIAL		Thermoplastic UL94-V0
NEMA RATING (IP RATING)		NEMA 2 (IP20)
DESCONEXION SEGURA		Disconnection via fuse-link
REAL-TIME DIAGNOSTICS		Visual indicator and remote contacts
DIMENSIONS		See diagram
WEIGHT		0.90 lbs
SPARE PART		DSM40-480
Normas		
Certificación		CSA / UL Listed
UL STANDARD		UL1449 5th Edition
UL CATEGORY		VZCA, VZCA7
UL FILE NUMBER		E326289
NORMAS		NOM-003-SCFI-2014, NOM-001-SCFI-1993
ENVIRONMENTAL STANDARDS		ROHS
Código		
461017		

