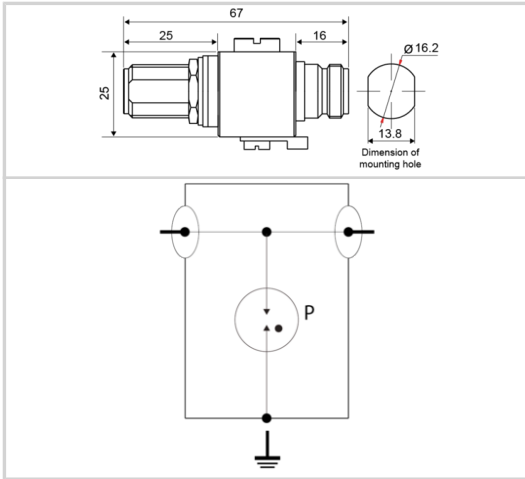


## P8AX09-6G-N/FF



- Gas Discharge Tube Technology, DC Pass
- Frequency Range 0-6.9GHz
- I<sub>max</sub> 20kA, 10kA (UL), I<sub>n</sub> 10kA
- IP67 Outdoor Rated
- N-Type Connector
- Bi-Directional
- Replaceable Gas Tube



Electrical Characteristics		
Max. DC operating voltage	Uc	120 Vdc
Frequency range	f	DC-7 GHz
Insertion loss		< 0.2 dB
Return loss		≥20 dB
Impedance		50 ohms
VSWR		<1.25:1
Max. load current @25°C	IL	10 A
Impulse current 2 x 10/350µs Test - D1 Category	Iimp	1 kA
Nominal discharge current C2 Category	I <sub>n</sub>	5 kA
Max Power		25 W
DC Pass		Yes
Insulation resistance	IR	≥10 GOhms
RF SPD TYPE		UL497E LISTED
VOLTS	(V)	48
AC/DC/DC PV/RF		RF
POWER RATING	(W)	25
AMBIENT MIN	(C)	-40
AMBIENT MAX	(C)	+85
RESIDUAL VOLTAGE	(V)	700
IN 10 impulses 8/20µs	(kA)	10
IMAX 8/20µs	(kA)	20
Installation		
Operating Temperature <sub>Min</sub>	°C	-45.0000
Operating Temperature <sub>Max</sub>	°C	85.0000
Operating Relative Humidity <sub>Max</sub>	%RH	Can be submerged
Operating Altitude <sub>Min</sub>	Ft	2000.0000
Operating Altitude <sub>Max</sub>	Ft	6500.0000
Mounting		Bracket or through hole
Installation Location		Indoor / outdoor
Spare part		BA HF 90/20
Accessories		BK
Miscellaneous		
Individual Pack		No
Mechanical Characteristics		
Connection to Network		Connector N Female/Female
Contacts		Bronze/Surface Au-Ag
Weight		0.165 kg
TECHNOLOGY		GDT
CONNECTION METHOD		SERIES CONNECTOR, BI-DIRECTIONAL
CONNECTOR TYPE		N
GENDER		FEMALE TO FEMALE
MOUNTING		BULKHEAD, OPTIONAL BRACKET
MATERIAL		Cu, Zn, Sn plated Brass, PTFE
NEMA RATING (IP RATING)		NEMA 6P (IP67)
DIMENSIONS		See diagram
SPARE PART		BA HF 90/20
Standards		
RohS compliance		Yes
UL STANDARD		UL497E
UL CATEGORY		QVLA
UL FILE NUMBER		E349646



**- UL497E LISTED - I<sub>max</sub> 20kA (10kA UL) - I<sub>n</sub> 10kA (10kA UL) - Bi-directional - Replaceable Gas Tube**

**P8AX09-6G-N/FF**

ENVIRONMENTAL STANDARDS	ROHS
Part number	
68011	

