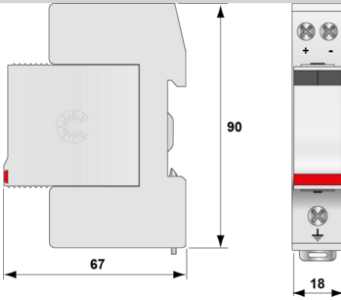
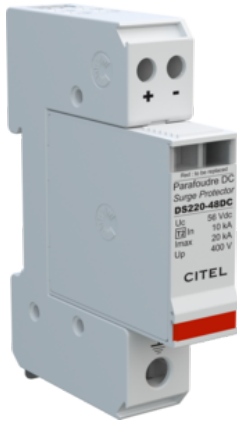


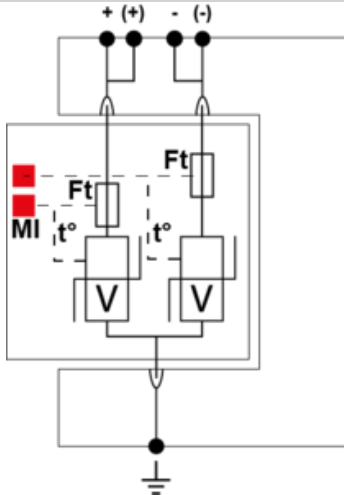


CITEL

DS220-48DC



Electrical Characteristics		
Network		DC or PV network 48Vdc
Max. DC operating voltage	Uc	65 Vdc
Max. load current @25°C	IL	50 A
Total Maximum discharge current <i>max. total withstand @ 8/20 μs</i>	Imax Total	20 kA
Protection mode(s)		Common mode
Protection level +/PE (-/PE) <i>@ In (8/20μs)</i>	Up	400 V
Mechanical Characteristics		
Technology		MOV
Connection to Network		By screw terminals: 1.5-10mm ² (actives wires) and 2.5-25mm ² (ground)
Format		Plug-in modular box
Failsafe mode		Disconnection from DC network
Part number		
390402		



V: High-energy varistor
 Ft: Thermal fuse
 t*: Thermal disconnection system
 MI: Disconnection indicator

