

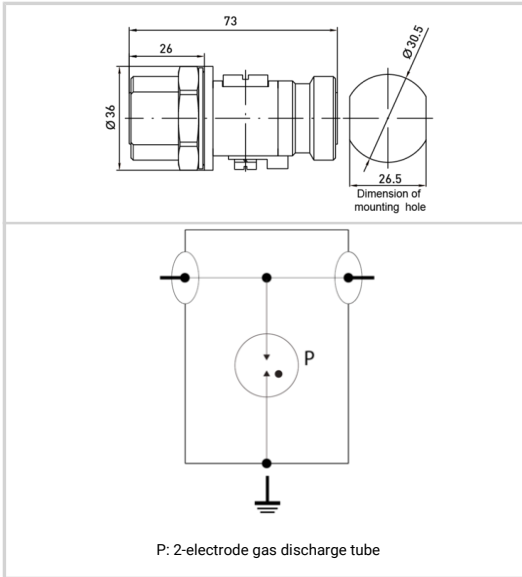


CITEL

P8AX09-716/FF



➤ 6GHz Bi-Directional Coaxial Surge Protector - High Energy GDT Technology - Low Insertion Loss - Field Replaceable GDT - Waterproof Design - DC Pass - UL497E Listed



Electrical Characteristics			
Max. DC operating voltage	Uc		72 Vdc
Frequency range	f		DC-3.5 GHz
Insertion loss			< 0.2 dB
Return loss			> 20 dB
Impedance			50 ohms
VSWR			<1.2:1
Max. load current @25°C	IL		10 A
Protection mode(s)			Common mode
Impulse current 2 x 10/350µs Test - D1 Category	limp		1 kA
Nominal discharge current C2 Category	In		5 kA
Max Power			25 W
DC Pass			Yes
Insulation resistance	IR		≥10 GOhms
RF Power Maximum	W		25.0000
Return Loss Minimum	db		>20
VSWR Maximum	:1		<1.2:1
Max Total Discharge Current Imax (8/20µs x 1)	kA		10.0000
Max Discharge Current Imax (8/20µs x 1)	kA		10.0000
RF SPD TYPE			UL497E LISTED
VOLTS	(V)		48
AC/DC/DC PV/RF			RF
WIRES			1W+GROUND
LINE CURRENT MAX	(A)		10
AMBIENT MIN	(C)		-40
AMBIENT MAX	(C)		+85
IMAX 8/20µs	(kA)		20
FREQUENCY RANGE	(GHz)		0-4.0
INSERTION LOSS (@ FREQ)	(db)		<0.2
RETURN LOSS	(db)		>22
VSWR			<1.25:1
Installation			
Operating TemperatureMin	°C		-45.0000
Operating TemperatureMax	°C		85.0000
Operating TemperatureMin	°F		-50.0000
Operating TemperatureMax	°F		85.0000
Operating Relative HumidityMax	%RH		Can be submerged
Operating AltitudeMin	Ft		2000.0000
Operating AltitudeMax	Ft		6500.0000
Housing/Enclosure material			Cu, Zn, Sn plated Brass
Mounting			Bracket or through hole
IP Environmental rating/IP			IP65
NEMA Environmental rating/NEMA			NEMA 4
Installation Location			Indoor / outdoor
Spare part			BB HF 90/20
Accessories			BK
Product DimensionL	mm		73.0000
Product DimensionH	mm		36.0000
Product DimensionW	mm		26.5000

Product Dimension <i>L</i>	In	2.8700
Product Dimension <i>H</i>	In	1.4200
Product Dimension <i>W</i>	In	1.0400
Miscellaneous		
Individual Pack		No
Storage Temperature <i>Min</i>	°C	-40.0000
Storage Temperature <i>Max</i>	°C	85.0000
Storage Temperature <i>Min</i>	°F	-40.0000
Storage Temperature <i>Max</i>	°F	85.0000
Mechanical Characteristics		
Technology		Gas discharge tube
Connection to Network		Connector 7/16 Female/Female
Failsafe mode		Short-circuit
Contacts		Bronze/Surface Au-Ag
Insulation material		PTFE
TECHNOLOGY		GDT
CONNECTION METHOD		SERIES CONNECTOR, BI-DIRECTIONAL
MOUNTING		BULKHEAD, OPTIONAL BRACKET
MATERIAL		Cu, Zn, Sn plated Brass, PTFE
NEMA RATING (IP RATING)		NEMA 6P (IP67)
DIMENSIONS		See diagram
WEIGHT		0.30 lbs
Standards		
RohS compliance		Yes
UL STANDARD		UL497E
UL CATEGORY		QVLA
UL FILE NUMBER		E349646
STANDARDS		NOM-003-SCFI-2014, NOM-001-SCFI-1993
ENVIRONMENTAL STANDARDS		ROHS
Part number		
60411		