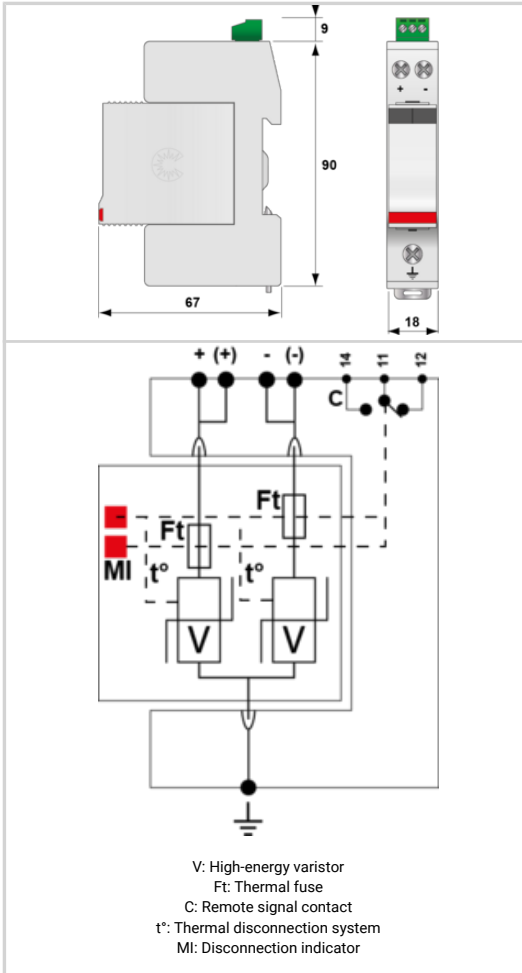




- MOV Technology
- UL1449 Type 4CA
- 30kA Surge Current Rating per module
- Visual fault indicator and remote contacts
- 10-Year warranty



| Electrical Characteristics | |
|----------------------------|--|
| Protection mode(s) | Common mode |
| POWER SPD TYPE | IEC Type 2 |
| VOLTS | (V) 75 |
| AC/DC/DC PV/RF | DC |
| PHASE | (PH) - |
| AMPS | (A) N/A |
| AMBIENT MIN | (C) -30 |
| AMBIENT MAX | (C) +85 |
| MODES | DC+G or DC-G |
| MLV DC | (V) 1520/1370/1360 |
| MCOV | (V) 100/100/100 |
| IN | (kA) 20 |
| 15 impulses 8/20μs | |
| SCCR | (kA) n/a |
| IMAX | (kA) 30 |
| 8/20μs | |
| Mechanical Characteristics | |
| Technology | MOV |
| Format | Plug-in modular box |
| Failsafe mode | Disconnection from DC network |
| Weight | 0.112 kg |
| TECHNOLOGY | MOV |
| NETWORK CONFIGURATION | 2W+G |
| CONNECTION METHOD | SPD-Screw Terminal (8-12AWG), Terminal blocks 6AWG |
| MOUNTING | Wall mount |
| MATERIAL | Thermoplastic UL94-V0 |
| NEMA RATING (IP RATING) | NEMA 2 (IP20) |
| FAIL-SAFE BEHAVIOR | Disconnection via fuse-link |
| REAL-TIME DIAGNOSTICS | Visual indicator and remote contacts |
| DIMENSIONS | See diagram |
| WEIGHT | 0.30 lbs |
| SPARE PART | DSM230-75DC |
| Standards | |
| UL STANDARD | UL1449 5th Edition |
| UL CATEGORY | VZCA2, VZCA8 |
| UL FILE NUMBER | E326289 |
| STANDARDS | IEC 61643-11, NOM-003-SCFI-2014, NOM-001-SCFI-1993 |
| ENVIRONMENTAL STANDARDS | ROHS |
| Part number | |
| 390611 | |

