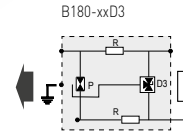
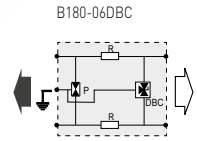
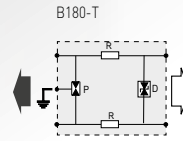
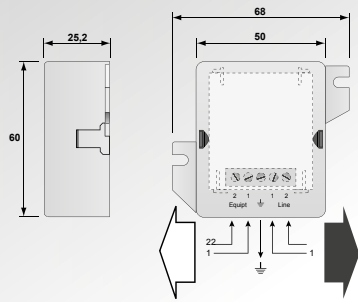
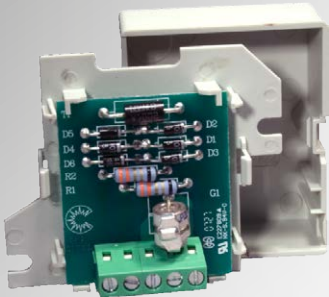


1-pair Surge Protectors B180 series



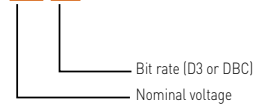
CITEL



P : 3-electrode gas tube
R : Resistor
D : Clamping diode
D3 : 3-pole clamping diode
DBC : 3-pole low capacitance diode

- 1-pair surge protection units
- All types of telephone and data lines
- Removable protection circuit
- Wall mounting and screw connection
- IEC 61643-21 compliance
- UL497 A

B180-xx



Characteristics

CITEL Model	B180-T	B180-48D3	B180-48DBC	B180-24D3	B180-12D3	B180-06D3	
Description	Telecom surge protector box - 1-pair	Dateline surge protector box - 1 pair					
Network	Telephone line, ADSL, SDSL, SHDSL	ISDN-T0, 48 V line	RNIS-T0, 48 V line	LS, 4-20 mA	RS232, RS485	RS422, RS485*	
SPD configuration	B180	1 pair	1 pair	1 pair	1 pair	1 pair	
Nominal line voltage	Un	150 V	48 V	48 V	24 V	12 V	6 V
Max. DC operating voltage	Uc	170 V	53 V	53 V	28 V	15 V	8 V
Max. Load current	IL	300 mA	300 mA	300 mA	300 mA	300 mA	300 mA
Max. frequency	f max	> 10 MHz	> 3 MHz	> 20 MHz	> 3 MHz	> 3 MHz	> 3 MHz
Insertion loss		< 1 dB	< 1 dB	< 1 dB	< 1 dB	< 1 dB	< 1 dB
Nominal discharge current <i>8/20µs Test x 10 - C2 Category</i>	In	5 kA	5 kA	5 kA	5 kA	5 kA	5 kA
Max. discharge current <i>max. withstand @ 8/20 µs by pole</i>	Imax	20 kA	20 kA	20 kA	20 kA	20 kA	20 kA
Impulse current <i>2 x 10/350µs Test - D1 Category</i>	Iimp	2.5 kA	2.5 kA	2.5 kA	2.5 kA	2.5 kA	2.5 kA
Protection level	Up	220 V	70 V	75 V	40 V	30 V	20 V
Failsafe behavior		Short-circuit	Short-circuit	Short-circuit	Short-circuit	Short-circuit	Short-circuit
Mechanical characteristics							
Dimensions	see diagram						
Format	wall mounting box						
Disconnection indicator	transmission interrupt						
Mounting	wall (screws non included)						
Operating temperature	-40/+85°C						
Protection rating	IP20						
Housing material	Thermoplastic UL94-V0						
Spare unit	S180-T	S180-48D3	S180-48DBC	S180-24D3	S180-12D3	S180-06D3	
Standards compliance	IEC 61643-21 / EN 61643-21 / UL497A						
Certification	UL listed						
Part number							
B180 range	510602	510402	510412	510302	510202	510102	

*usable on RS485 line with operating voltage < 6V

