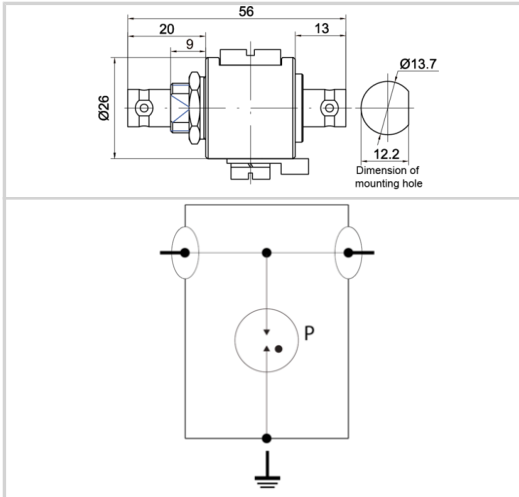




➤4GHz Bi-Directional Coaxial Surge Protector - High Energy GDT Technology - Low Insertion Loss - Field Replaceable GDT - Waterproof Design - DC Pass - UL497E Listed



| Características eléctricas  |       |                         |
|---|-------|-------------------------|
| Tensión DC máx. de operación  | Uc    | 200 Vdc                 |
| Gama de frecuencia  | f     | DC-3.5 GHz              |
| Perdida de inserción  |       | < 0.2 dB                |
| Return loss   |       | > 20 dB                 |
| Impedancia  |       | 50 ohms                 |
| VSWR - ROE  |       | <1.2:1                  |
| Corriente máx. De línea @25°C   | IL    | 10 A                    |
| Modo(s) de protección   |       | Modo común              |
| Corriente de choque<br><i>Prueba 10/350µs x 2 - categoría D1</i>          | limp  | 1 kA                    |
| Corriente de descarga nominal<br><i>Prueba 8/20µs x 10 - categoría C2</i> | In    | 5 kA                    |
| Potencia máx.   |       | 190 W                   |
| DC Pass   |       | Yes                     |
| Resistencia de aislamiento  | IR    | ≥10 GOhms               |
| RF Power  | W     | 190.0000                |
| Return Loss   | db    | >20                     |
| VSWR  | :1    | <1.2:1                  |
| Max Total Discharge Current   | kA    | 20.0000                 |
| Max Discharge Current   | kA    | 20.0000                 |
| RF SPD TYPE   |       | UL497E LISTED           |
| TENSION   | (V)   | 48                      |
| AC/DC/DC PV/RF  |       | RF                      |
| WIRES   |       | 1W+GROUND               |
| LINE CURRENT MAX  | (A)   | 10                      |
| AMBIENT MIN   | (C)   | -40                     |
| AMBIENT MAX   | (C)   | +85                     |
| IMAX  | (kA)  | 20                      |
| FREQUENCY RANGE   | (GHz) | 0-4.0                   |
| INSERTION LOSS (@ FREQ)   | (db)  | <0.2                    |
| RETURN LOSS   | (db)  | >22                     |
| VSWR  |       | <1.25:1                 |
| Instalación   |       |                         |
| Operating Temperature   | °C    | -45.0000                |
| Operating Temperature   | °C    | 85.0000                 |
| Operating Temperature   | °F    | -50.0000                |
| Operating Temperature   | °F    | 85.0000                 |
| Operating Relative Humidity   | %RH   | Can be submerged        |
| Operating Altitude  | Ft    | 2000.0000               |
| Operating Altitude  | Ft    | 6500.0000               |
| Housing/Enclosure material  |       | Cu, Zn, Sn plated Brass |
| Mounting  |       | Bracket or through hole |
| IP Environmental rating   |       | IP65                    |
| NEMA Environmental rating   |       | NEMA 4                  |
| Installation Location   |       | Indoor / outdoor        |
| Spare part  |       | BB HF 250/20            |
| Accesorio   |       | BK                      |
| Product Dimension   | mm    | 56.0000                 |
| Product Dimension   | mm    | 26.0000                 |
| Product Dimension   | mm    | 12.2000                 |
| Product Dimension   | In    | 2.2000                  |
| Product Dimension   | In    | 1.0200                  |
| Product Dimension   | In    | 0.4800                  |
| Miscelánea  |       |                         |
| Individual Pack   |       | No                      |

|                                  |    |                                      |
|----------------------------------|----|--------------------------------------|
| Storage Temperature              | °C | -40.0000                             |
| Storage Temperature              | °C | 85.0000                              |
| Storage Temperature              | °F | -40.0000                             |
| Storage Temperature              | °F | 85.0000                              |
| <b>Características mecánicas</b> |    |                                      |
| Tecnología                       |    | Descargador de gas                   |
| Conexión a la red                |    | Conector BNC Hembra/Hembra           |
| Modo de fallo                    |    | Corto-circuito                       |
| Contact                          |    | Bronce/Superficie Au-Ag              |
| aislamiento                      |    | PTFE                                 |
| TECNOLOGIA                       |    | GDT                                  |
| FORMA DE CONEXION                |    | SERIES CONNECTOR, BI-DIRECTIONAL     |
| MONTAJE                          |    | BULKHEAD, OPTIONAL BRACKET           |
| MATERIAL                         |    | Cu, Zn, Sn plated Brass, PTFE        |
| NEMA RATING (IP RATING)          |    | NEMA 6P (IP67)                       |
| DIMENSIONS                       |    | See diagram                          |
| WEIGHT                           |    | 0.30 lbs                             |
| <b>Normas</b>                    |    |                                      |
| Conformidad RoHs                 |    | Si                                   |
| UL STANDARD                      |    | UL497E                               |
| UL CATEGORY                      |    | QVLA                                 |
| UL FILE NUMBER                   |    | E349646                              |
| NORMAS                           |    | NOM-003-SCFI-2014, NOM-001-SCFI-1993 |
| ENVIRONMENTAL STANDARDS          |    | ROHS                                 |
| <b>Código</b>                    |    |                                      |
| <b>60114</b>                     |    |                                      |