

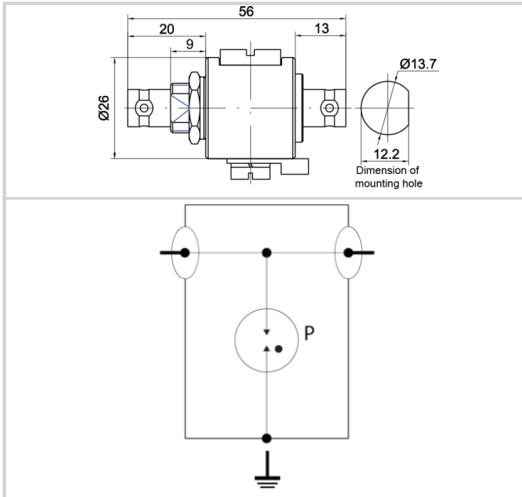


CITEL

P8AX25-B/FF



➤4GHz Bi-Directional Coaxial Surge Protector - High Energy GDT Technology - Low Insertion Loss - Field Replaceable GDT - Waterproof Design - DC Pass - UL497E Listed



| Electrical Characteristics | | | |
|--|-------|--|-------------------------|
| Max. DC operating voltage | Uc | | 200 Vdc |
| Frequency range | f | | DC-3.5 GHz |
| Insertion loss | | | < 0.2 dB |
| Return loss | | | > 20 dB |
| Impedance | | | 50 ohms |
| VSWR | | | <1.2:1 |
| Max. load current @25°C | IL | | 10 A |
| Protection mode(s) | | | Common mode |
| Impulse current <i>2 x 10/350µs Test - D1 Category</i> | Iimp | | 1 kA |
| Nominal discharge current <i>C2 Category</i> | In | | 5 kA |
| Max Power | | | 190 W |
| DC Pass | | | Yes |
| Insulation resistance | IR | | ≥10 GOhms |
| RF Power <i>Maximum</i> | W | | 190.0000 |
| Return Loss <i>Minimum</i> | db | | >20 |
| VSWR <i>Maximum</i> | :1 | | <1.2:1 |
| Max Total Discharge Current <i>I_{max} (8/20µs x 1)</i> | kA | | 20.0000 |
| Max Discharge Current <i>I_{max} (8/20µs x 1)</i> | kA | | 20.0000 |
| RF SPD TYPE | | | UL497E LISTED |
| VOLTS | (V) | | 48 |
| AC/DC/DC PV/RF | | | RF |
| WIRES | | | 1W+GROUND |
| LINE CURRENT MAX | (A) | | 10 |
| AMBIENT MIN | (C) | | -40 |
| AMBIENT MAX | (C) | | +85 |
| IMAX <i>8/20µs</i> | (kA) | | 20 |
| FREQUENCY RANGE | (GHz) | | 0-4.0 |
| INSERTION LOSS (@ FREQ) | (db) | | <0.2 |
| RETURN LOSS | (db) | | >22 |
| VSWR | | | <1.25:1 |
| Installation | | | |
| Operating Temperature <i>Min</i> | °C | | -45.0000 |
| Operating Temperature <i>Max</i> | °C | | 85.0000 |
| Operating Temperature <i>Min</i> | °F | | -50.0000 |
| Operating Temperature <i>Max</i> | °F | | 85.0000 |
| Operating Relative Humidity <i>Max</i> | %RH | | Can be submerged |
| Operating Altitude <i>Min</i> | Ft | | 2000.0000 |
| Operating Altitude <i>Max</i> | Ft | | 6500.0000 |
| Housing/Enclosure material | | | Cu, Zn, Sn plated Brass |
| Mounting | | | Bracket or through hole |
| IP Environmental rating <i>IP</i> | | | IP65 |
| NEMA Environmental rating <i>NEMA</i> | | | NEMA 4 |
| Installation Location | | | Indoor / outdoor |
| Spare part | | | BB HF 250/20 |
| Accessories | | | BK |
| Product Dimension <i>L</i> | mm | | 56.0000 |
| Product Dimension <i>H</i> | mm | | 26.0000 |
| Product Dimension <i>W</i> | mm | | 12.2000 |
| Product Dimension <i>L</i> | In | | 2.2000 |

| | | |
|-----------------------------------|----|--------------------------------------|
| Product Dimension H | In | 1.0200 |
| Product Dimension W | In | 0.4800 |
| Miscellaneous | | |
| Individual Pack | | No |
| Storage Temperature Min | °C | -40.0000 |
| Storage Temperature Max | °C | 85.0000 |
| Storage Temperature Min | °F | -40.0000 |
| Storage Temperature Max | °F | 85.0000 |
| Mechanical Characteristics | | |
| Technology | | Gas discharge tube |
| Connection to Network | | Connector BNC Female/Female |
| Failsafe mode | | Short-circuit |
| Contacts | | Bronze/Surface Au-Ag |
| Insulation material | | PTFE |
| TECHNOLOGY | | GDT |
| CONNECTION METHOD | | SERIES CONNECTOR, BI-DIRECTIONAL |
| MOUNTING | | BULKHEAD, OPTIONAL BRACKET |
| MATERIAL | | Cu, Zn, Sn plated Brass, PTFE |
| NEMA RATING (IP RATING) | | NEMA 6P (IP67) |
| DIMENSIONS | | See diagram |
| WEIGHT | | 0.30 lbs |
| Standards | | |
| RohS compliance | | Yes |
| UL STANDARD | | UL497E |
| UL CATEGORY | | QVLA |
| UL FILE NUMBER | | E349646 |
| STANDARDS | | NOM-003-SCFI-2014, NOM-001-SCFI-1993 |
| ENVIRONMENTAL STANDARDS | | ROHS |
| Part number | | |
| 60114 | | |