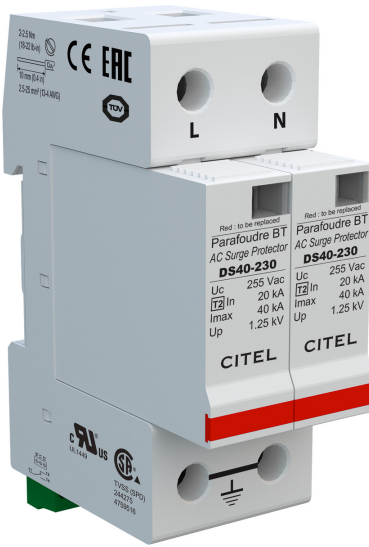




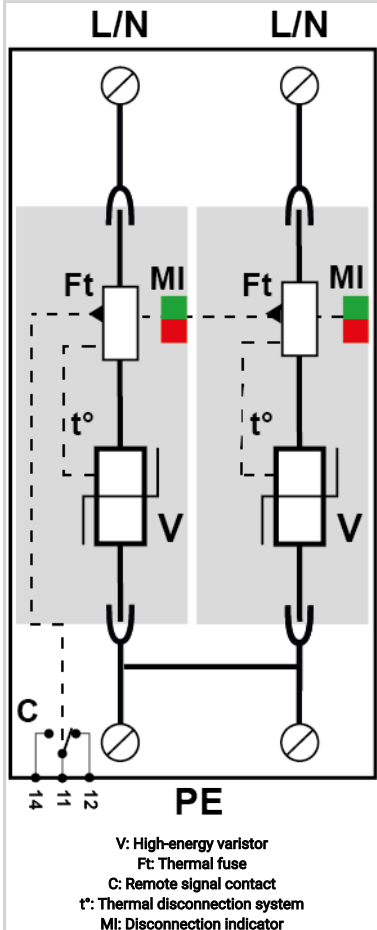
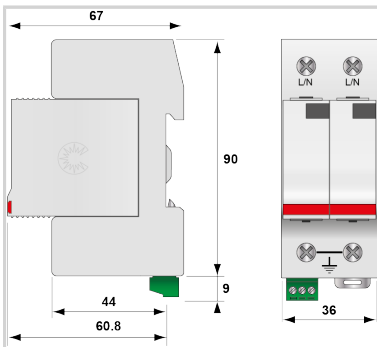
CITEL

UL TYPE 4CA SPD - I_{max} 40kA - I_n 20kA - Modular

DS42S-230



- ▶ MOV Technology
- ▶ UL1449 Type 4CA
- ▶ 40kA Surge Current Rating
- ▶ Visual fault indicator and remote contacts
- ▶ 10-Year warranty



Electrical Characteristics	
Network	230 V single-phase
Nominal line voltage	Un 230 Vac
Max. AC operating voltage	Uc 255 Vac
Max. discharge current <i>max. withstand @ 8/20 μs by pole</i>	I _{max} 40 kA
Total Maximum discharge current <i>max. total withstand @ 8/20 μs</i>	I _{max} Total 80 kA
Connection mode(s)	L/PE and N/PE
Protection mode(s)	Common mode
Residual voltage at 5 kA <i>@ 5 kA (8/20μs)</i>	Up-5kA 0.9 kV
Protection level N/PE <i>@ I_n (8/20μs)</i>	Up N/PE 1.25 kV
POWER SPD TYPE	UL1449 5th Ed. TYPE 4CA
VOLTS	(V) 400/230
AC/DC/DC PV/RF	AC
PHASE	(PH) 3Y
AMPS	(A) N/A
AMBIENT MIN	(C) -35
AMBIENT MAX	(C) +60
MODES	L-L, L-G
MLV	(V) 2730/-/1600/-
MCOV	(V) 480/-/275/-
IN <i>15 impulses 8/20μs</i>	(kA) 20
SCCR	(kA) n/a
IMAX <i>8/20μs</i>	(kA) 40
Iimp <i>10/350μs</i>	(kA) 4
Mechanical Characteristics	
Technology	MOV
Connection to Network	By screw terminals: 2.5-25mm ² / by bus
Format	Plug-in modular box
Mounting	Symmetrical rail 35 mm (EN 60715)
Operating temperature	Tu -40/+85°C
Protection rating	IP20
Failsafe mode	Disconnection from AC network
TECHNOLOGY	MOV
NETWORK CONFIGURATION	1PH, 2W+G, Single Phase (or 2PH, 2W+G, Two Phase)
CONNECTION METHOD	SPD-Screw Terminal (8-12AWG), Terminal blocks 6AWG
MOUNTING	Din Rail
MATERIAL	Thermoplastic UL94-V0
NEMA RATING (IP RATING)	NEMA 2 (IP20)
FAIL-SAFE BEHAVIOR	Disconnection via fuse-link
REAL-TIME DIAGNOSTICS	Visual indicator and remote contacts
DIMENSIONS	See diagram
WEIGHT	0.60 lbs
SPARE PART	DSM40-230
Standards	
Certification	cRUus
Environmental standards	EU RoHS



CITEL

UL TYPE 4CA SPD - I_{max} 40kA - In 20kA - Modular

DS42S-230

UL STANDARD	UL1449 5th Edition
UL CATEGORY	VZCA2, VZCA8
UL FILE NUMBER	E326289
STANDARDS	NOM-003-SCFI-2014, NOM-001-SCFI-1993
Part number	
461521	

