



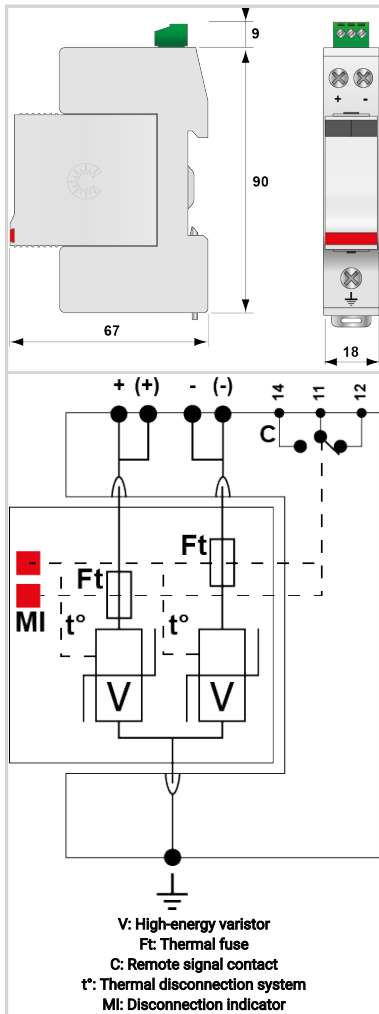
# CITEL

## DC Power SPD- I<sub>max</sub> 40kA - In 20kA - Modular

### DS240S-280DC



- MOV Technology
- UL1449 Type 4CA
- 40kA Surge Current Rating per module
- Visual fault indicator and remote contacts
- 10-Year warranty



#### Electrical Characteristics

|  |                        |                         |
|--|------------------------|-------------------------|
| Network  |                        | DC or PV network 280Vdc |
| Max. AC operating voltage  | Uc                     | 275 Vac                 |
| Max. DC operating voltage  | Uc                     | 350 Vdc                 |
| Max. load current @25°C  | IL                     | 50 A                    |
| Max. discharge current<br><i>max. withstand @ 8/20 μs by pole</i>        | I <sub>max</sub>       | 40 kA                   |
| Total Maximum discharge current<br><i>max. total withstand @ 8/20 μs</i> | I <sub>max</sub> Total | 80 kA                   |
| Connection mode(s)   |                        | +/-/PE                  |
| Protection mode(s)   |                        | Common mode             |
| Protection level +/-PE (-/PE)<br><i>@ In (8/20μs)</i>                    | Up                     | 1200 V                  |
| POWER SPD TYPE   |                        | IEC Type 2              |
| VOLTS  | (V)                    | 280                     |
| AC/DC/DC PV/RF   |                        | DC                      |
| PHASE  | (PH)                   |                         |
| AMPS   | (A)                    | N/A                     |
| AMBIENT MIN  | (C)                    | -40                     |
| AMBIENT MAX  | (C)                    | +85                     |
| MODES  |                        | DC+G or DC-G            |
| IN<br><i>15 impulses 8/20μs</i>  | (kA)                   | 20                      |
| SCCR   | (kA)                   | n/a                     |
| IMAX<br><i>8/20μs</i>  | (kA)                   | 40                      |

#### Mechanical Characteristics

|                         |    |  |
|-------------------------|----|--|
| Technology              |    | MOV  |
| Connection to Network   |    | By screw terminals: 1.5-10mm <sup>2</sup> (actives wires) and 2.5-25mm <sup>2</sup> (ground) |
| Format                  |    | Plug-in modular box  |
| Operating temperature   | Tu | -40/+85°C  |
| Protection rating       |    | IP20   |
| Failsafe mode           |    | Disconnection from DC network  |
| TECHNOLOGY              |    | MOV  |
| NETWORK CONFIGURATION   |    | 2W+G   |
| CONNECTION METHOD       |    | SPD-Screw Terminal (8-12AWG), Terminal blocks 6AWG   |
| MOUNTING                |    | Wall mount   |
| MATERIAL                |    | Thermoplastic UL94-V0  |
| NEMA RATING (IP RATING) |    | NEMA 2 (IP20)  |
| FAIL-SAFE BEHAVIOR      |    | Disconnection via fuse-link  |
| REAL-TIME DIAGNOSTICS   |    | Visual indicator and remote contacts   |
| DIMENSIONS              |    | See diagram  |
| WEIGHT                  |    | 0.30 lbs   |

#### Standards



# CITEL

## DC Power SPD- I<sub>max</sub> 40kA - In 20kA - Modular

---

### DS240S-280DC

|                         |  |
|-------------------------|--|
| Certification           | UL Recognized                                      |
| UL STANDARD             | UL1449 5th Edition                                 |
| UL CATEGORY             | VZCA2, VZCA8                                       |
| UL FILE NUMBER          | E326289  |
| STANDARDS               | IEC 61643-11, NOM-003-SCFI-2014, NOM-001-SCFI-1993 |
| ENVIRONMENTAL STANDARDS | ROHS   |
| <b>Part number</b>      |  |
| <b>310511</b>           |  |

