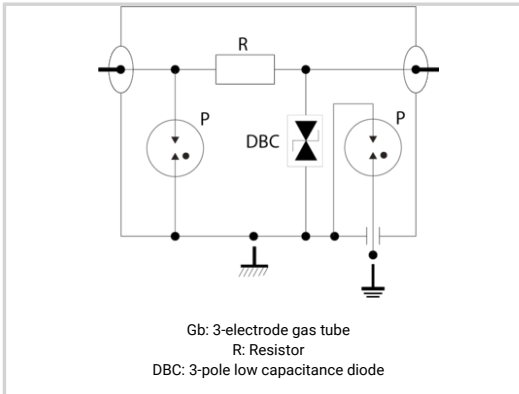




- Coaxial surge protector
- I<sub>max</sub> : 20 kA
- Up to 1 GHz
- Connectors : BNC, F, TNC, TV(SE) EJ167



Electrical Characteristics		
Network		coaxial DC-100 MHz
Max. DC operating voltage	U <sub>c</sub>	10 Vdc
Max. frequency	f max.	DC-100 MHz
Insertion loss		≤ 0.5 dB
Return loss		≥ 20 dB
Impedance		50/75 ohms
VSWR		< 1.3:1
Max. load current @25°C	IL	0.5 A
Protection mode(s)		Common mode
Impulse current <i>2 x 10/350µs Test - D1 Category</i>	I <sub>imp</sub>	2.5 kA
Nominal discharge current <i>C2 Category</i>	I <sub>n</sub>	5 kA
Max Power		4 W
DC Pass		No
Return Loss <i>Minimum</i>	db	>20
VSWR <i>Maximum</i>	:1	<1.2:1
Max Discharge Current <i>I<sub>max</sub> (8/20µs x 1)</i>	kA	20.0000
Max Total Discharge Current <i>I<sub>max</sub> (8/20µs x 1)</i>	kA	20.0000
Max Discharge Current <i>I<sub>max</sub> (8/20µs x 1)</i>	kA	20.0000
Max Discharge Current <i>I<sub>max</sub> (8/20µs x 1)</i>	kA	20.0000
Max Discharge Current <i>I<sub>max</sub> (8/20µs x 1)</i>	kA	20.0000
Max Discharge Current <i>I<sub>max</sub> (8/20µs x 1)</i>	kA	20.0000
Installation		
Operating Temperature <sub>Min</sub>	°C	-40.0000
Operating Temperature <sub>Max</sub>	°C	85.0000
Operating Temperature <sub>Min</sub>	°F	-40.0000
Operating Temperature <sub>Max</sub>	°F	85.0000
Operating Relative Humidity <sub>Max</sub>	%RH	95
Operating Altitude <sub>Min</sub>	Ft	2000.0000
Operating Altitude <sub>Max</sub>	Ft	6500.0000
Housing/Enclosure material		Metal + Plastic
Mounting		Surface mount
IP Environmental rating/IP		IP20
Installation Location		outdoor
Accessories		90° Stainless steel bracket
Product Dimension <sub>L</sub>	mm	61.0000
Product Dimension <sub>H</sub>	mm	24.0000
Product Dimension <sub>W</sub>	mm	48.0000
Product Dimension <sub>L</sub>	In	2.4000
Product Dimension <sub>H</sub>	In	0.9400
Product Dimension <sub>W</sub>	In	1.8800
Miscellaneous		
Individual Pack		No
Storage Temperature <sub>Min</sub>	°C	-40.0000
Storage Temperature <sub>Max</sub>	°C	85.0000
Storage Temperature <sub>Min</sub>	°F	-40.0000
Storage Temperature <sub>Max</sub>	°F	85.0000
Installation		
Cable type		Coax
Mechanical Characteristics		
Technology		GDT+TVS diode
Connection to Network		Connector F Male/Female
Format		Insulating box

Failsafe mode	Short-circuit - transmission cut-off - fault mode 2
Part number	
632601	