



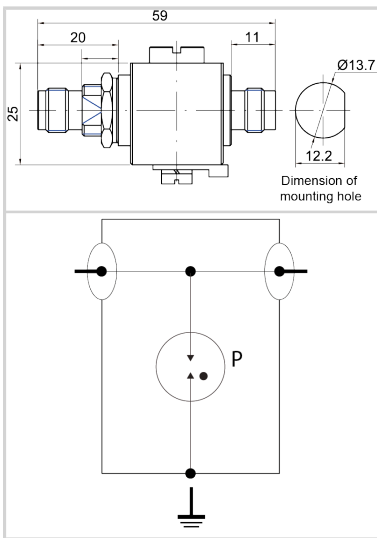
CITEL

- UL497E LISTED - I_{max} 20kA (10kA UL) - I_n 10kA (10kA UL) - Bi-directional - Replaceable Gas Tube

P8AX25-6G-T/FF



- Gas Discharge Tube Technology, DC Pass
- Frequency Range 0-6 GHz
- I_{max} 20kA, 10kA (UL), I_n 10kA
- IP67 Outdoor Rated
- SMA Type Connector
- Bi-Directional
- Replaceable Gas Tube



Electrical Characteristics

Max. DC operating voltage	U _c	200 Vdc
Frequency range	f	DC-6 GHz
Insertion loss		0.3 dB
Return loss		> 18 dB
Impedance		50 ohms
VSWR		< 1.3:1
Max. load current @25°C	I _L	10 A
Max. discharge current <i>max. withstand @ 8/20 μs by pole</i>	I _{max}	15 kA
Nominal discharge current <i>C2 Category</i>	I _n	5 kA
Protection mode(s)		Common mode
Impulse current <i>2 x 10/350 μs Test - D1 Category</i>	I _{imp}	1 kA
Max Power		190 W
DC Pass		Yes
Insulation resistance	I _R	≥10 GOhms
RF SPD TYPE		UL497E LISTED
VOLTS	(V)	48
AC/DC/DC PV/RF		RF
WIRES		1W+GROUND
LINE CURRENT MAX	(A)	10
AMBIENT MIN	(C)	-40
AMBIENT MAX	(C)	+85
IMAX <i>8/20 μs</i>	(kA)	20
FREQUENCY RANGE	(GHz)	0-6.9
INSERTION LOSS (@ FREQ)	(db)	<0.2
RETURN LOSS	(db)	22
VSWR		<1.25:1

Mechanical Characteristics

Technology		Gas discharge tube
Connection to Network		Connector TNC Female/Female
Operating temperature	T _u	-40/+85°C
Protection rating		IP65
Failsafe mode		Short-circuit
Contacts		Bronze/Surface Au-Ag
Insulation material		PTFE
TECHNOLOGY		GDT
CONNECTION METHOD		SERIES CONNECTOR, BI-DIRECTIONAL
MOUNTING		BULKHEAD, OPTIONAL BRACKET
MATERIAL		Cu, Zn, Sn plated Brass, PTFE
NEMA RATING (IP RATING)		NEMA 6P (IP67)
DIMENSIONS		See diagram
WEIGHT		0.30 lbs

Standards



CITEL

- UL497E LISTED - I_{max} 20kA (10kA UL) - In 10kA (10kA UL) - Bi-directional - Replaceable Gas Tube

P8AX25-6G-T/FF

RohS compliance	Yes
UL STANDARD	UL497E
UL CATEGORY	QVLA
UL FILE NUMBER	E349646
STANDARDS	NOM-003-SCFI-2014, NOM-001-SCFI-1993
ENVIRONMENTAL STANDARDS	ROHS
Part number	
68314	

