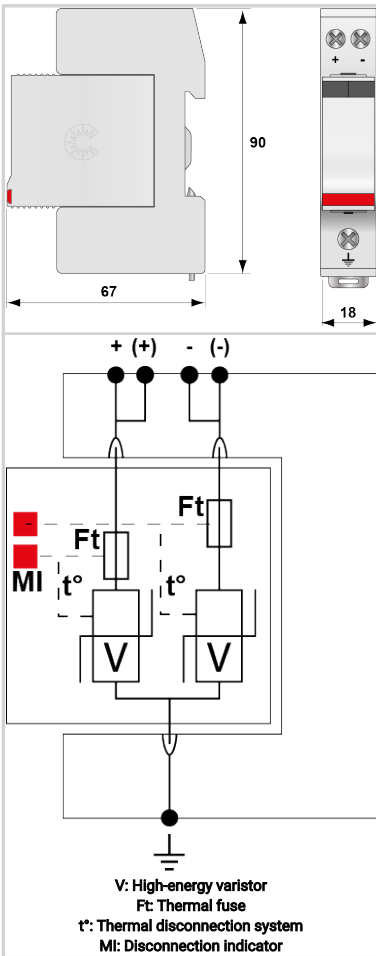




# CITEL



## DS220-24DC



| Electrical Characteristics   |            |  |
|--|------------|--|
| Network  |            | DC or PV network 24Vdc   |
| Max. AC operating voltage  | Uc         | 30 Vac   |
| Max. DC operating voltage  | Uc         | 38 Vdc   |
| Max. load current @25°C  | IL         | 50 A   |
| Max. discharge current<br><i>max. withstand @ 8/20 μs by pole</i>        | Imax       | 20 kA  |
| Total Maximum discharge current<br><i>max. total withstand @ 8/20 μs</i> | Imax Total | 40 kA  |
| Connection mode(s)   |            | +/-/PE   |
| Protection mode(s)   |            | Common mode  |
| Protection level +/-/PE<br><i>@ In (8/20μs)</i>                          | Up         | 250 V  |
| Mechanical Characteristics   |            |  |
| Technology   |            | MOV  |
| Connection to Network  |            | By screw terminals: 1.5-10mm <sup>2</sup> (actives wires) and 2.5-25mm <sup>2</sup> (ground) |
| Format   |            | Plug-in modular box  |
| Mounting   |            | Symmetrical rail 35 mm (EN 60715)  |
| Operating temperature  | Tu         | -40/+85°C  |
| Protection rating  |            | IP20   |
| Failsafe mode  |            | Disconnection from DC network  |
| Standards  |            |  |
| Certification  |            | cRUus  |
| Part number  |            |  |
| <b>390501</b>  |            |  |

