

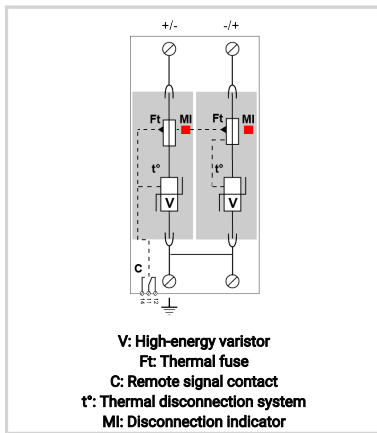


# CITEL



## DS50PVS-500

- ▶ MOV Technology
- ▶ UL1449 5th Edition
- ▶ 40kA Surge Current Rating
- ▶ Visual fault indicator and remote contacts
- ▶ 10-Year warranty



| Electrical Characteristics  |                           |                         |
|---|---------------------------|-------------------------|
| Max. discharge current<br><i>max. withstand @ 8/20 μs by pole</i> | <i>I</i> <sub>max</sub>   | 40 kA                   |
| Connection mode(s)  |                           | +/-/PE                  |
| Protection mode(s)  |                           | Differential Mode       |
| Residual voltage at 5 kA<br><i>@ 5 kA (8/20μs)</i>                | <i>U</i> <sub>p-5kA</sub> | 1 kV                    |
| Protection level +/-PE (-/PE)<br><i>@ I<sub>n</sub> (8/20μs)</i>  | <i>U</i> <sub>p</sub>     | 1.8 kV                  |
| Maximum Discharge Current<br><i>I</i> <sub>max</sub> (8/20)       | kA                        | 40.0000                 |
| POWER SPD TYPE  |                           | UL1449 5th Ed. TYPE 4CA |
| VOLTS   | (V)                       | 500                     |
| AC/DC/DC PV/RF  |                           | DC PV                   |
| PHASE   | (PH)                      |                         |
| AMPS  | (A)                       | N/A                     |
| AMBIENT MIN   | (C)                       | -40                     |
| AMBIENT MAX   | (C)                       | +75                     |
| MODES   |                           | DC+G or DC-G            |
| MLV   | (V)                       | 3400/2240/2240          |
| MCOV  | (V)                       | 800/800/800             |
| IN<br><i>15 impulses 8/20μs</i>                                   | (kA)                      | 20                      |
| SCCR  | (kA)                      | n/a                     |
| Option  |                           |                         |
| Remote status dry contact electrical rating<br><i>Max Voltage</i> | V                         | 250.0000                |
| Remote status dry contact electrical rating<br><i>Max Current</i> | A                         | 0.5000                  |
| RFI Filter  |                           | no                      |
| Installation  |                           |                         |
| Wiring type   |                           | Screw                   |
| Solid wire cross section<br><i>Min</i>                            | mm <sup>2</sup>           | 4.0000                  |
| Solid Wire cross section<br><i>Max</i>                            | mm <sup>2</sup>           | 25.0000                 |
| Stranded Wire cross section<br><i>Min</i>                         | mm <sup>2</sup>           | 4.0000                  |
| Stranded wire cross section<br><i>Max</i>                         | mm <sup>2</sup>           | 25.0000                 |
| Wire gauge<br><i>Min</i>  | AWG                       | 12.0000                 |
| Wire gauge<br><i>Max</i>  | AWG                       | 4.0000                  |
| Torque  | Nm                        | 2.0 - 2.5               |
| Torque  | in-lbs                    | 17.8 - 22.1             |
| Strip Length  | mm                        | 12.5000                 |
| Strip Length  | in                        | 0.5000                  |
| Operating Temperature<br><i>Min</i>                               | °C                        | -40.0000                |
| Operating Temperature<br><i>Max</i>                               | °C                        | 85.0000                 |
| Operating Temperature<br><i>Min</i>                               | °F                        | -40.0000                |
| Operating Temperature<br><i>Max</i>                               | °F                        | 85.0000                 |
| Operating Relative Humidity<br><i>Max</i>                         | %RH                       | 95                      |
| Operating Altitude<br><i>Min</i>                                  | Ft                        | 2000.0000               |
| Operating Altitude<br><i>Max</i>                                  | Ft                        | 6500.0000               |
| Housing/Enclosure material  |                           | Thermoplastic           |
| Flammability rating<br><i>UL 94</i>                               |                           | V0                      |
| Mounting  |                           | Din Rail                |
| IP Environmental rating<br><i>IP</i>                              |                           | IP20                    |
| NEMA Environmental rating<br><i>NEMA</i>                          |                           | NEMA 1                  |
| Installation Location   |                           | Indoor                  |



# CITEL

## DS50PVS-500

| Spare part                        |     | Module   |
|-----------------------------------|-----|--|
| Product DimensionL                | mm  | 99.0000  |
| Product DimensionH                | mm  | 67.0000  |
| Product DimensionW                | mm  | 54.0000  |
| Product DimensionL                | In  | 3.8900   |
| Product DimensionH                | In  | 2.6400   |
| Product DimensionW                | In  | 2.1300   |
| <b>Miscellaneous</b>              |     |  |
| Individual Pack                   |     | Yes  |
| Storage TemperatureMin            | °C  | -40.0000   |
| Storage TemperatureMax            | °C  | 85.0000  |
| Storage Relative HumidityMax      | %RH | 95.0000  |
| <b>Mechanical Characteristics</b> |     |  |
| Technology                        |     | MOV  |
| Connection to Network             |     | By screw terminals: 4-25mm <sup>2</sup> / by bus   |
| Format                            |     | Plug-in modular box                                |
| Mounting                          |     | Symmetrical rail 35 mm (EN 60715)                  |
| Operating temperature             | Tu  | -40/+85°C  |
| Protection rating                 |     | IP20   |
| Failsafe mode                     |     | Disconnection SPD of the PV line                   |
| TECHNOLOGY                        |     | MOV  |
| NETWORK CONFIGURATION             |     | 3 poles, 2W+G                                      |
| CONNECTION METHOD                 |     | SPD-Screw Terminal (8-12AWG), Terminal blocks 6AWG |
| MOUNTING                          |     | Wall mount   |
| MATERIAL                          |     | Thermoplastic UL94-V0                              |
| NEMA RATING (IP RATING)           |     | NEMA 2 (IP20)                                      |
| FAIL-SAFE BEHAVIOR                |     | Disconnection via fuse-link                        |
| REAL-TIME DIAGNOSTICS             |     | Visual indicator and remote contacts               |
| DIMENSIONS                        |     | See diagram  |
| <b>Standards</b>                  |     |  |
| Certification                     |     | cRUus  |
| UL STANDARD                       |     | UL1449 5th Edition                                 |
| UL FILE NUMBER                    |     | E326289  |
| <b>Part number</b>                |     |  |
| <b>480112</b>                     |     |  |

