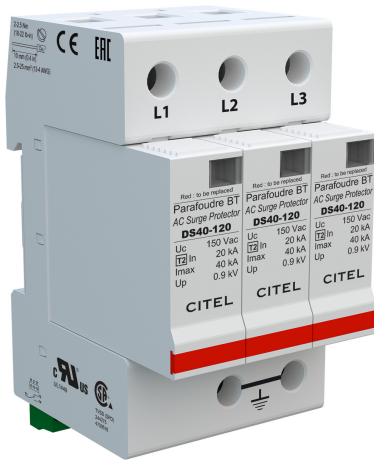




CITEL

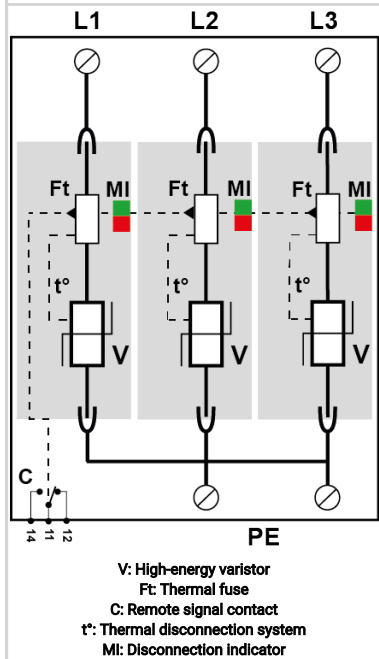
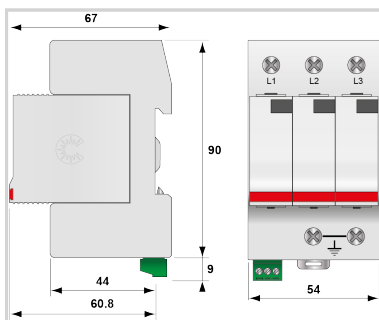
UL121201 Hazardous Locations- I_{max} 40kA - I_n 20kA - Modular

DS43S-120



Type 2 AC Multipolar surge protector

- › I_n : 20 kA
- › I_{max} total : 40 kA
- › Pluggable module for each phase
- › Remote signaling option
- › NF EN 61643-11, CEI 61643-11 compliant



Electrical Characteristics

Network		120/208 V
Nominal line voltage	U _n	120 Vac
Max. AC operating voltage	U _c	150 Vac
Max. discharge current <i>max. withstand @ 8/20 μs by pole</i>	I _{max}	40 kA
Total Maximum discharge current <i>max. total withstand @ 8/20 μs</i>	I _{max} Total	120 kA
Connection mode(s)		L/PE
Protection mode(s)		Common mode
Residual voltage at 5 kA <i>@ 5 kA (8/20 μs)</i>	U _{p-5kA}	0.6 kV
POWER SPD TYPE		UL1449 5th Ed. TYPE 4CA
VOLTS	(V)	240/120
AC/DC/DC PV/RF		AC
PHASE	(PH)	1S
AMPS	(A)	N/A
AMBIENT MIN	(C)	-35
AMBIENT MAX	(C)	+60
MODES		L-L, L-N, L-G, N-G
MLV	(V)	1960/-/1240/-
MCOV	(V)	300/-/150/-
IN <i>15 impulses 8/20 μs</i>	(kA)	20
SCCR	(kA)	n/a
IMAX <i>8/20 μs</i>	(kA)	40
Iimp <i>10/350 μs</i>	(kA)	4

Option

Remote status dry contact electrical rating	Max Voltage	V	250.0000
Remote status dry contact electrical rating	Max Current	A	0.5000
RFI Filter			no

Installation

Wiring type		Screw
Solid wire cross section	Min	mm ² 2.5000
Solid Wire cross section	Max	mm ² 35.0000
Stranded Wire cross section	Min	mm ² 2.5000
Stranded wire cross section	Max	mm ² 25.0000
Wire gauge	Min	AWG 13.0000
Wire gauge	Max	AWG 2.0000
Torque		Nm 2.0 - 2.5
Torque	in-lbs	17.8 - 22.1
Strip Length	mm	13.0000
Strip Length	in	0.5000
Operating Temperature	Min	°C -40.0000
Operating Temperature	Max	°C 85.0000
Operating Temperature	Min	°F -40.0000
Operating Temperature	Max	°F 85.0000
Operating Relative Humidity	Max	%RH 95
Operating Altitude	Min	Ft 2000.0000
Operating Altitude	Max	Ft 6500.0000
Housing/Enclosure material		Thermoplastic
Flammability rating	UL 94	V0
Mounting		Din Rail
IP Environmental rating	IP	IP20



CITEL

DS43S-120

NEMA Environmental rating	NEMA	NEMA 1
Installation Location		Indoor
Spare part		Module
Product Dimension	L	mm 99.0000
Product Dimension	H	mm 67.0000
Product Dimension	W	mm 54.0000
Product Dimension	L	In 3.8900
Product Dimension	H	In 2.6400
Product Dimension	W	In 2.1300
Miscellaneous		
Individual Pack		Yes
Storage Temperature	Min	°C -40.0000
Storage Temperature	Max	°C 85.0000
Storage Temperature	Min	°F -40.0000
Storage Temperature	Max	°F 85.0000
Storage Relative Humidity	Max	%RH 95.0000
Mechanical Characteristics		
Technology		MOV
Connection to Network		By screw terminals: 2.5-25mm ² / by bus
Format		Plug-in modular box
Mounting		Symmetrical rail 35 mm (EN 60715)
Operating temperature	Tu	-40/+85°C
Protection rating		IP20
Failsafe mode		Disconnection from AC network
TECHNOLOGY		MOV
NETWORK CONFIGURATION		1PH, 3W+G, Split Phase
CONNECTION METHOD		SPD-Screw Terminal (8-12AWG), Terminal blocks 6AWG
MOUNTING		Din Rail
MATERIAL		Thermoplastic UL94-V0
NEMA RATING (IP RATING)		NEMA 2 (IP20)
FAIL-SAFE BEHAVIOR		Disconnection via fuse-link
REAL-TIME DIAGNOSTICS		Visual indicator and remote contacts
DIMENSIONS		See diagram
WEIGHT		0.90 lbs
SPARE PART		DSM40-120
Standards		
Certification		cRUus
Environmental standards		EU RoHS
UL STANDARD		UL1449 5th Edition
UL CATEGORY		VZCA2, VZCA8
UL FILE NUMBER		E326289
STANDARDS		NOM-003-SCFI-2014, NOM-001-SCFI-1993
Part number		
461623		

