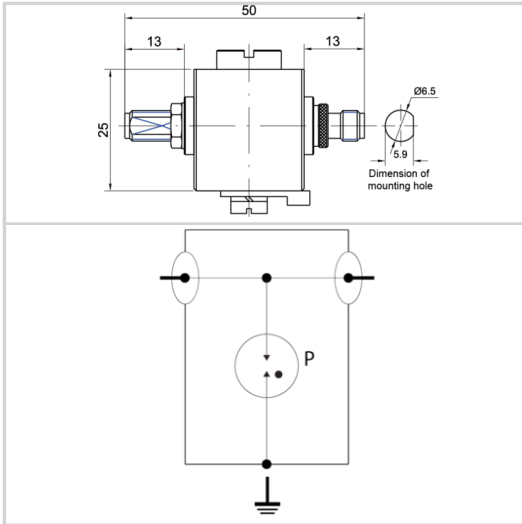


## P8AX25-6G-SMA/FF



- Gas Discharge Tube Technology, DC Pass
- Frequency Range 0-6.9GHz
- I<sub>max</sub> 20kA, 10kA (UL), I<sub>n</sub> 10kA
- IP67 Outdoor Rated
- SMA Type Connector
- Bi-Directional
- Replaceable Gas Tube



Electrical Characteristics			
Max. DC operating voltage	U <sub>c</sub>		200 Vdc
Frequency range	f		DC-7 GHz
Insertion loss			< 0.3dB
Return loss			> 18 dB
Impedance			50 ohms
VSWR			<1.3:1
Max. load current @25°C	IL		10 A
Protection mode(s)			Common mode
Impulse current <i>2 x 10/350µs Test - D1 Category</i>	I <sub>imp</sub>		1 kA
Nominal discharge current <i>C2 Category</i>	I <sub>n</sub>		5 kA
Max Power			190 W
DC Pass			Yes
Insulation resistance	IR		≥10 GOhms
RF SPD TYPE			UL497E LISTED
VOLTS	(V)		48
AC/DC/DC PV/RF			RF
WIRES			1W+GROUND
LINE CURRENT MAX	(A)		10
AMBIENT MIN	(C)		-40
AMBIENT MAX	(C)		+85
IMAX <i>8/20µs</i>	(kA)		20
FREQUENCY RANGE	(GHz)		0-6.9
INSERTION LOSS (@ FREQ)	(db)		<0.2
RETURN LOSS	(db)		>22
VSWR			<1.25:1
Mechanical Characteristics			
Technology			Gas discharge tube
Connection to Network			Connector SMA Female/Female
Failsafe mode			Short-circuit
Contacts			Bronze/Surface Au-Ag
Insulation material			PTFE
TECHNOLOGY			GDT
CONNECTION METHOD			SERIES CONNECTOR, BI-DIRECTIONAL
MOUNTING			BULKHEAD, OPTIONAL BRACKET
MATERIAL			Cu, Zn, Sn plated Brass, PTFE
NEMA RATING (IP RATING)			NEMA 6P (IP67)
DIMENSIONS			See diagram
WEIGHT			0.30 lbs
Standards			
RohS compliance			Yes
UL STANDARD			UL497E
UL CATEGORY			QVLA
UL FILE NUMBER			E349646
STANDARDS			NOM-003-SCFI-2014, NOM-001-SCFI-1993
ENVIRONMENTAL STANDARDS			ROHS
Part number			
<b>68514</b>			