

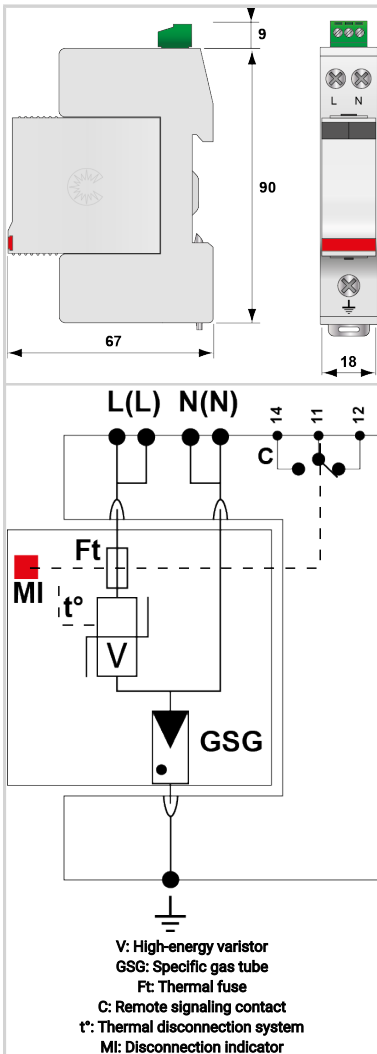


CITEL

DS240S-320/G



- ▶ MOV+GSG Technology
- ▶ UL1449 TYPE 4CA
- ▶ 40kA Surge Current Rating per module
- ▶ Visual fault indicator and remote contacts
- ▶ 10-Year warranty



Electrical Characteristics	
Network	230/400V
Nominal line voltage	Un 230 Vac
Max. AC operating voltage	Uc 320 Vac
Max. load current if series connection	IL 20 A
Max. discharge current max. withstand @ 8/20 μs by pole	I _{max} 40 kA
Total Maximum discharge current max. total withstand @ 8/20 μs	I _{max} Total 40 kA
Protection mode(s)	Common/Differential mode
Residual voltage at 5 kA @ 5 kA (8/20 μs)	Up-5kA 1.5/1 kV
POWER SPD TYPE	UL1449 5th Ed. TYPE 4CA
AC/DC/DC PV/RF	AC
PHASE	(PH) 1S
AMPS	(A) N/A
AMBIENT MIN	(C) -40
AMBIENT MAX	(C) +85
MODES	L-L, L-G, L-N, N-G
IN 15 impulses 8/20 μs	(kA) 20
SCCR	(kA) n/a
IMAX 8/20 μs	(kA) 40
Mechanical Characteristics	
Technology	MOV
Connection to Network	By screw terminals: 1.5-10mm ² (L/N) or 2.5-25mm ² (PE)
Format	Plug-in modular box
Mounting	Symmetrical rail 35 mm (EN 60715)
Operating temperature	Tu -40/+85°C
Protection rating	IP20
Failsafe mode	Disconnection from AC network
TECHNOLOGY	MOV+GSG
NETWORK CONFIGURATION	2 pole, 2W+G, Single/Spilt Phase
CONNECTION METHOD	Screw Terminal, 15-5AWG Solid Wire, 15-7AWG Stranded Wire
MOUNTING	Din Rail
MATERIAL	Thermoplastic UL94-V0
NEMA RATING (IP RATING)	NEMA 2 (IP20)
FAIL-SAFE BEHAVIOR	Disconnection via fuse-link
REAL-TIME DIAGNOSTICS	Visual indicator and remote contacts
DIMENSIONS	See diagram
WEIGHT	0.30 lbs
Standards	
Certification	UL Recognized



CITEL

UL121201 Hazardous Locations- Imax 40kA - In 20kA - Modular

DS240S-320/G

Environmental standards	EU RoHS
UL STANDARD	UL1449 5th Edition
UL CATEGORY	VZCA2, VZCA8
UL FILE NUMBER	E326289
STANDARDS	NOM-003-SCFI-2014, NOM-001-SCFI-1993
Part number	
311931	

