



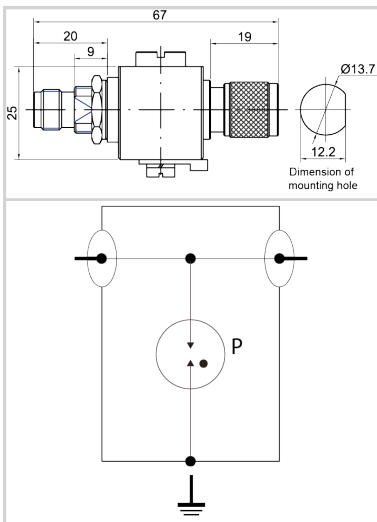
# CITEL

**- UL497E LISTED - I<sub>max</sub> 20kA (10kA UL) - I<sub>n</sub> 10kA (10kA UL) - Bi-directional - Replaceable Gas Tube**

## P8AX25-6G-T/MF



- Gas Discharge Tube Technology, DC Pass
- Frequency Range 0-6 GHz
- I<sub>max</sub> 20kA, 10kA (UL), I<sub>n</sub> 10kA
- IP67 Outdoor Rated
- SMA Type Connector
- Bi-Directional
- Replaceable Gas Tube



Electrical Characteristics		
Max. DC operating voltage	Uc	200 Vdc
Frequency range	f	DC-6 GHz
Insertion loss		0.3 dB
Return loss		> 18 dB
Impedance		50 ohms
VSWR		< 1.3:1
Max. load current @25°C	IL	10 A
Max. discharge current <i>max. withstand @ 8/20 μs by pole</i>	I <sub>max</sub>	15 kA
Nominal discharge current <i>C2 Category</i>	I <sub>n</sub>	5 kA
Protection mode(s)		Common mode
Impulse current <i>2 x 10/350μs Test - D1 Category</i>	I <sub>imp</sub>	1 kA
Max Power		190 W
Typical let through energy <i>(50 ohms) input 4kV 1.2/50μs - 2kA 8/20μs</i>		2.2 mJ
DC Pass		Yes
Insulation resistance	IR	≥10 GOhms
RF SPD TYPE		UL497E LISTED
VOLTS	(V)	48
AC/DC/DC PV/RF		RF
WIRES		1W+GROUND
LINE CURRENT MAX	(A)	10
AMBIENT MIN	(C)	-40
AMBIENT MAX	(C)	+85
IMAX <i>8/20μs</i>	(kA)	20
FREQUENCY RANGE	(GHz)	0-6.9
INSERTION LOSS (@ FREQ)	(db)	<0.2
RETURN LOSS	(db)	22
VSWR		<1.25:1
Mechanical Characteristics		
Technology		Gas discharge tube
Connection to Network		Connector TNC Male/Female
Mounting		Feedthrough
Operating temperature	Tu	-40/+85°C
Protection rating		IP65
Failsafe mode		Short-circuit
Contacts		Bronze/Surface Au-Ag
Insulation material		PTFE
TECHNOLOGY		GDT
CONNECTION METHOD		SERIES CONNECTOR, BI-DIRECTIONAL
MOUNTING		BULKHEAD, OPTIONAL BRACKET



# CITEL

**- UL497E LISTED - I<sub>max</sub> 20kA (10kA UL) - In 10kA (10kA UL) - Bi-directional - Replaceable Gas Tube**

## P8AX25-6G-T/MF

MATERIAL	Cu, Zn, Sn plated Brass, PTFE
NEMA RATING (IP RATING)	NEMA 6P (IP67)
DIMENSIONS	See diagram
WEIGHT	0.30 lbs
<b>Standards</b>	
Environmental standards	EU RoHS
RohS compliance	Yes
UL STANDARD	UL497E
UL CATEGORY	QVLA
UL FILE NUMBER	E349646
STANDARDS	NOM-003-SCFI-2014, NOM-001-SCFI-1993
<b>Part number</b>	
<b>68304</b>	

