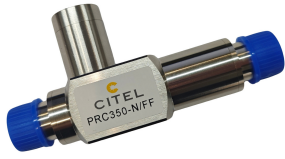
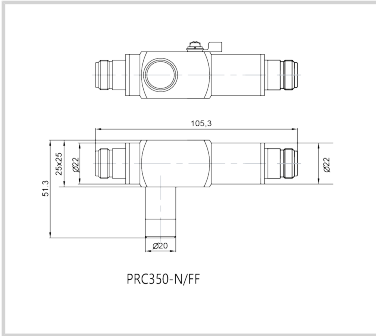




CITEL



DETAILS



PRC350-N/FF



Electrical Characteristics		
Frequency range	f	150-500 MHz
Insertion loss		< 0.2 dB
Impedance		50 ohms
VSWR		<1.2
Max. discharge current <i>max. withstand @ 8/20 μs by pole</i>	Imax	20 kA
Max Power @f mini.		3319 W
Mechanical Characteristics		
Technology		Quarter Wave
Connection to Network		Connector N Female/Female
Mounting		Feedthrough
Operating temperature	Tu	-40/+85°C
Protection rating		IP65
Failsafe mode		Without
Insulation material		PTFE
Standards		
RohS compliance		Yes
Part number		
610110		

